



HOLEMAKING

Drill Driven Punch Driver Knockout Sets

- Punch up to a 4" conduit size hole in a maximum of 10 gauge mild steel
- No hydraulic oil
- 1/2" to 2" punches designed to split the slug into two pieces for easy removal
- High strength steel punches and dies for long life
- Recommended drill – (provided by end user) – 1/2" cordless drill with a minimum of 18 volts
- Fast, easy punching – no ratcheting
- Compare to Southwire® Max Punch®**
- Made in the USA



Piece Maker™ Punches are designed to split the slug into two pieces for easy removal from die after punch completion

Current Tools™ Punch Driver may be used with Greenlee* Punches and dies



Model 162PM

Scan here for manual



Catalog Number	Description	Weight	
165	Drill Driven Punch Driver	6 lbs.	UPC 811993021046
162PM	1/2" – 2" Drill Driven Punch Driver Set	19 lbs.	UPC 811993021053
164PM	1/2" – 4" Drill Driven Punch Driver Set	53 lbs.	UPC 811993021060

*Greenlee is a registered trademark of Greenlee Tools, Inc.
 **Southwire® and Max Punch® are registered trademarks of Southwire Company, LLC.



Current Tools
 FOR THE PROFESSIONAL ELECTRICIAN

www.currenttools.com

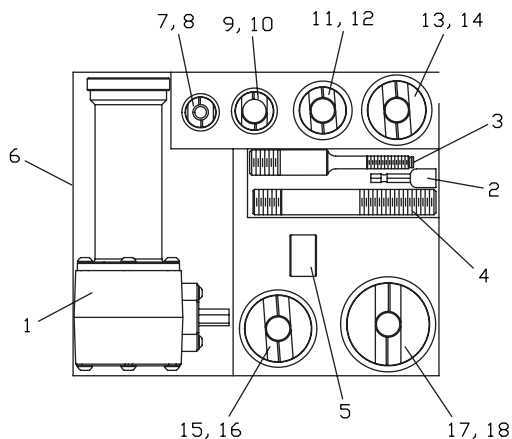
P.O. Box 17026 • Greenville, SC 29606 • 864.721.4230 • fax 864.721.4232 • 800.230.5421



Drill Driven Punch Driver Knockout Sets

Item Number	Catalog Number	Description	165	162PM ½" to 2"	164PM ½" to 4"	
1	165	Punch Driver	1	1	1	UPC 811993021046
2	163-14	Nut Driver (3/8")		1	1	UPC 811993021084
3	1581	3/8" Draw Stud		1	1	UPC 811993021091
4	1582	3/4" Draw Stud		1	1	UPC 811993021107
5	1553	Short Spacer		1	1	UPC 811993020001
6	165-5	Carrying Case		1		UPC 811993021220
7	1524	½" Piece Maker™ Punch		1	1	UPC 811993020032
8	1525	½" Die		1	1	UPC 811993020049
9	1526	¾" Piece Maker™ Punch		1	1	UPC 811993020056
10	1527	¾" Die		1	1	UPC 811993020063
11	1528	1" Piece Maker™ Punch		1	1	UPC 811993020070
12	1529	1" Die		1	1	UPC 811993020087
13	1530	1¼" Piece Maker™ Punch		1	1	UPC 811993020094
14	1531	1¼" Die		1	1	UPC 811993020100
15	1532	1½" Piece Maker™ Punch		1	1	UPC 811993020117
16	1533	1½" Die		1	1	UPC 811993020124
17	1534	2" Piece Maker™ Punch		1	1	UPC 811993020131
18	1535	2" Die		1	1	UPC 811993020148
19	1580	¾" X 1⅞" Draw Stud			1	UPC 811993021114
20	1566	2½" Punch			1	UPC 811993021121
21	1567	2½" Die			1	UPC 811993021138
22	1568	3" Punch			1	UPC 811993021145
23	1569	3" Die			1	UPC 811993021152
24	1570	3½" Punch			1	UPC 811993021169
25	1571	3½" Die			1	UPC 811993021176
26	1572	4" Punch			1	UPC 811993021183
27	1573	4" Die			1	UPC 811993021190
28	1501	Metal Storage Box			1	UPC 811993021206
29	163-766	3½" & 4" Die Adapter			1	UPC 811993021213

162PM



164PM

