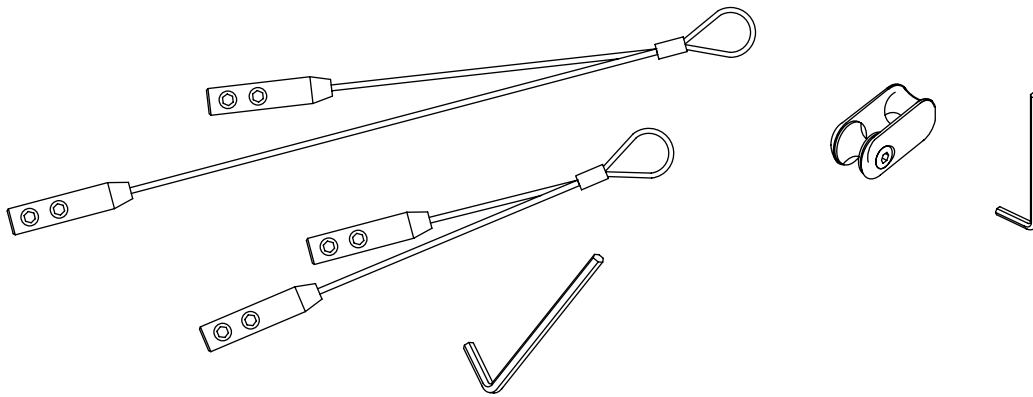




# **Current Tools**

**FOR THE PROFESSIONAL ELECTRICIAN**

## Pulling Harness Kits — 2500 Series



## Operating, Safety, and Parts Manual

08/04 REV. 0



**Read and understand this material before using the Pulling Harness. Failure to understand how to safely operate this unit may result in serious injury or death.**

This manual is free of charge. All personnel who operate the Pulling Harness should have a copy of this manual and read and understand its contents. To request a copy, call or write to the address below.

CURRENT TOOLS • P. O. BOX 17026 GREENVILLE, SC 29606  
800.230.5421 or **864-721-4230** • **FAX 864-721-4232**  
[www.currenttools.com](http://www.currenttools.com)

## TABLE OF CONTENTS

<i>Safety Alerts</i> .....	2
<i>Safety Information</i> .....	3
<i>Definitions</i> .....	3
<i>Set-up Instructions</i> .....	4
<i>Clevis Installation</i> .....	4, 5
<i>Harness Kits</i> .....	5, 6

## SAFETY ALERTS



# Safety Alert Symbol

THIS SAFETY SYMBOL is used to call your attention to instructions that concern your personal safety. It means: ATTENTION! BE AWARE! THIS IS AN IMPORTANT SAFETY INSTRUCTION!

Read, understand, and follow these safety instructions. Failure to follow these safety instructions may result in injury or death.

## **DANGER**

Immediate hazards which, if not avoided, WILL result in serious personal injury or death.

## **WARNING**

Hazards or unsafe practices which, if not avoided, COULD result in serious personal injury or death.

## **CAUTION**

Hazards or unsafe practices which, if not avoided, COULD result in minor personal injury or property damage.

## RETAIN SAFETY INFORMATION



This manual should be read and understood by all personnel who operate the Pulling Harness. Failure to understand how to safely operate this unit could result in injury or death. This unit should only be operated by qualified personnel.

## IMPORTANT SAFETY INFORMATION

Follow ALL safety information provided by the manufacturer.

### ⚠ WARNING

NEVER allow the pulling harnesses and clevis to be pulled across sheaves or cable puller capstans.

### ⚠ WARNING

Following are the MAXIMUM pulling capacities:

- 1,750 lbs. maximum when using 1 grip of the double leg pulling harness.
- 3,250 lbs. maximum per double leg pulling harness when using both grips of the harness.
- 6,500 lbs. maximum when using both (Model 2500-1 and Model 2500-2) pulling harnesses.

See *DEFINITIONS* below.

- Clevis maximum capacity is 6,500 lbs.

### ⚠ WARNING

The wire being pulled should be secured by both of the jam screws in each grip. Jam screws must be offset as shown in Figure A.

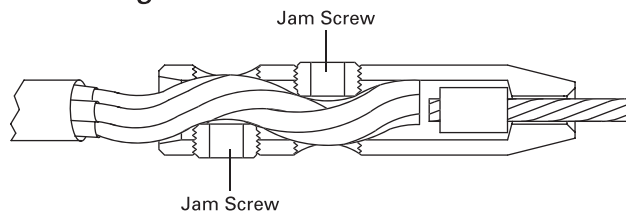


Figure A

### ⚠ WARNING

The pulling rope must only go around the removable sheave on the clevis and the pulling harness loop must only go around the solid end of the clevis. See *Figure B*.

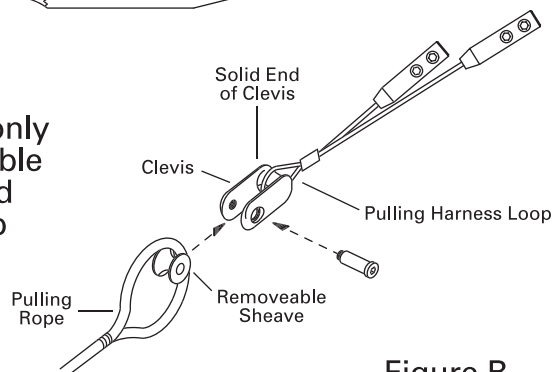
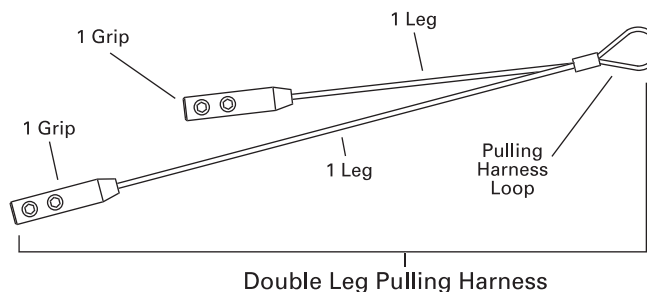


Figure B

## DEFINITIONS



Double Leg Pulling Harness

## SET-UP INSTRUCTIONS

NOTE: *Current Tools Pulling Harness Kits are designed to pull copper or aluminum cable in 2" and larger conduit.*

1. Remove approximately three inches of insulation from the end of the cable to be pulled.
2. Back out both jam screws using the allen wrench provided.
3. Slide the bare cable completely into the grip. Be sure the cable is inserted completely into the grip so that both jam screws will contact the cable when tightened. *See Figure C.*

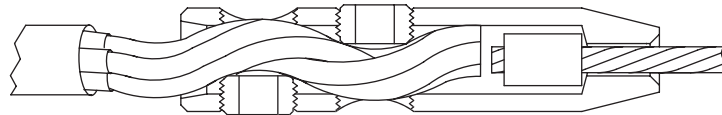


Figure C

NOTE: If the cable diameter is too large, clip the center core of the cable and use the outside strands in the grip.

4. Tighten both jam screws securely against the cable.

NOTE: To ensure that the jam screws do not extend above the surface of the grip, the bare cable should fill between 40% and 60% of the grip. If the jam screws protrude above the surface of the grip, damage may occur to the conduit. If jam screws extend slightly above the surface of the grip, wrap the grip with electrical tape.

## CLEVIS INSTALLATION

1. With allen wrench provided, remove sheave pin and sheave. *See Figure D.*

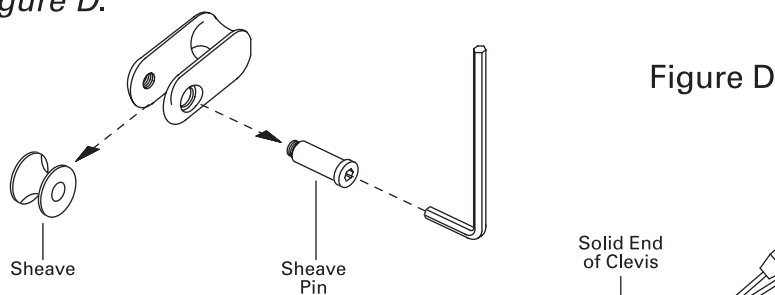


Figure D

2. Place loop(s) of pulling harness(es) over solid end of clevis. Place pulling rope around sheave. *See Figure E.*

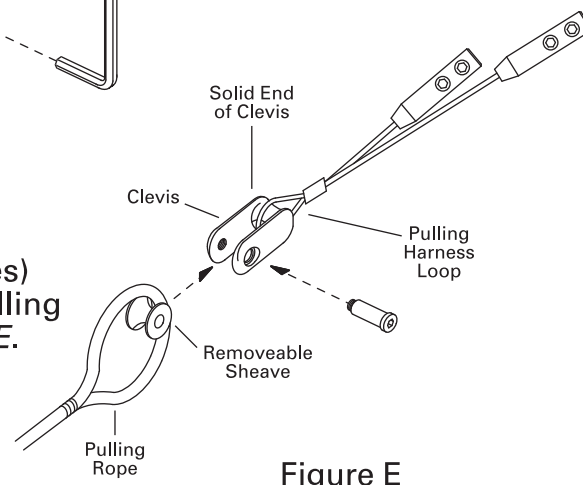


Figure E

CLEVIS INSTALLATION *continued . . .*

- Place sheave in clevis and re-install sheave pin. Firmly tighten sheave pin with allen wrench provided. See *Figure F*.

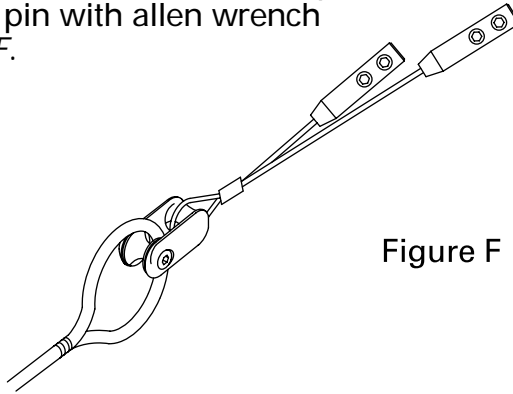
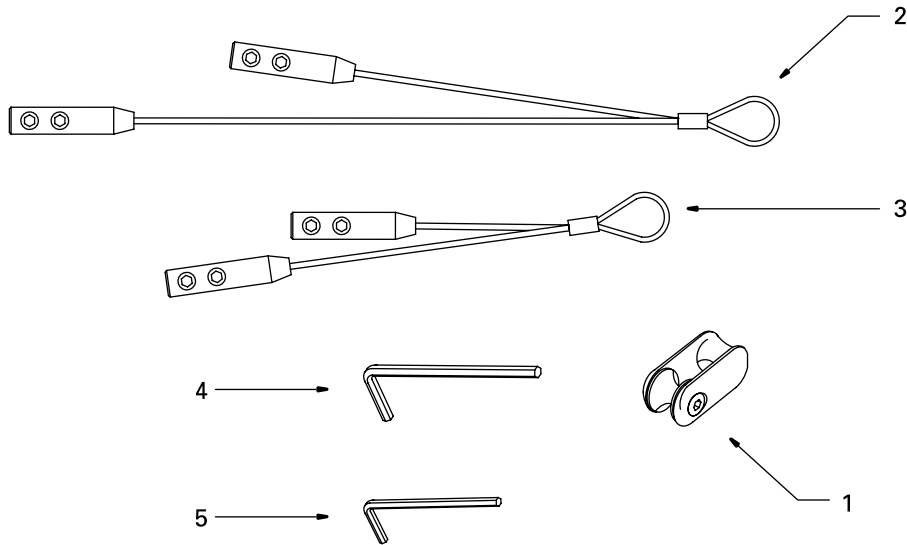


Figure F

- Clevis Installation is now complete.

 HARNESS KITS

Catalog #2500

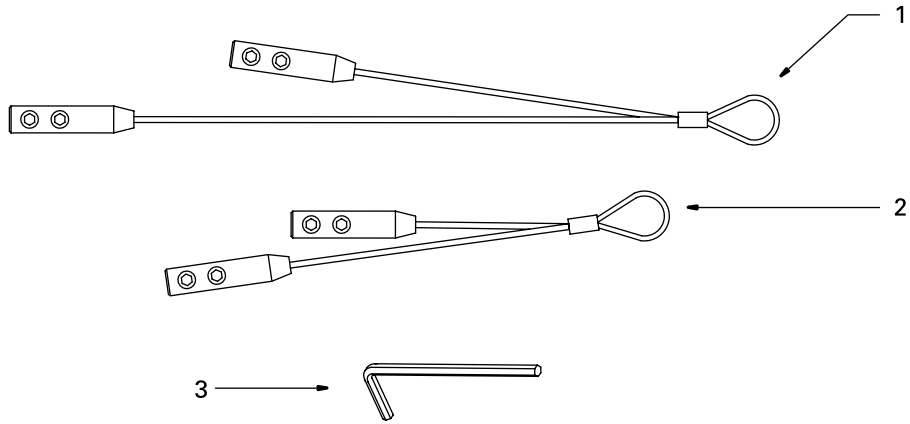


Catalog #2500 Includes the following:

<u>ITEM #</u>	<u>CATALOG #</u>	<u>DESCRIPTION</u>
1	2502	CLEVIS
2	2500-1	PULLING HARNESS - LONG
3	2500-2	PULLING HARNESS - SHORT
4	2500-3	ALLEN WRENCH - 3/8"
5	2500-4	ALLEN WRENCH - 1/4"

HARNESS KITS *continued . . .*

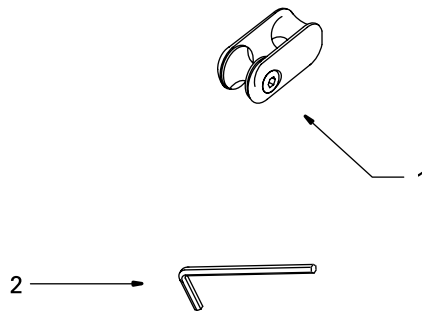
Catalog #2501



Catalog #2501 Includes the following:

<u>ITEM #</u>	<u>CATALOG #</u>	<u>DESCRIPTION</u>
1	2500-1	PULLING HARNESS - LONG
2	2500-2	PULLING HARNESS - SHORT
3	2500-3	ALLEN WRENCH - 3/8"

Catalog #2502



Catalog #2502 Includes the following:

<u>ITEM #</u>	<u>CATALOG #</u>	<u>DESCRIPTION</u>
1	2502	CLEVIS
2	2500-4	ALLEN WRENCH - 1/4"