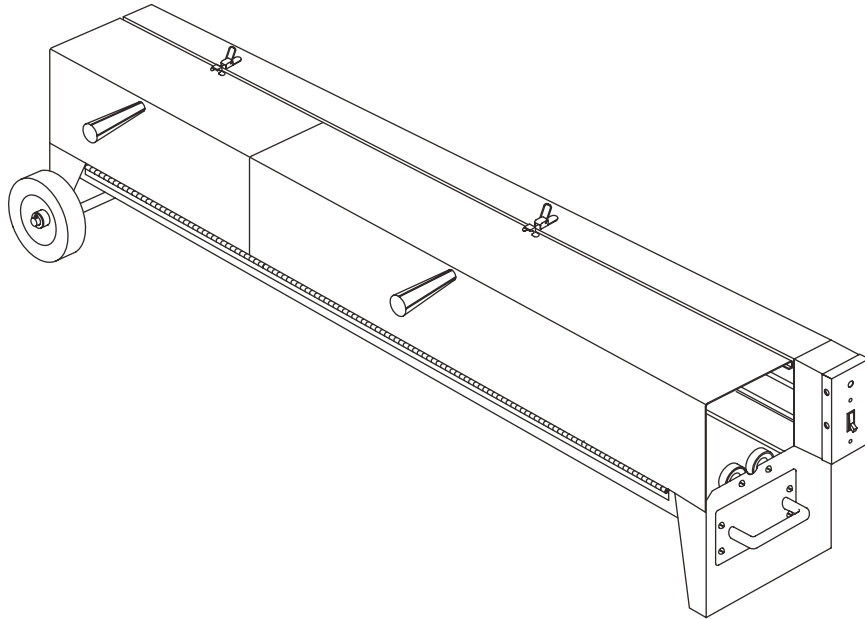




Current Tools

FOR THE PROFESSIONAL ELECTRICIAN

Current Tools™ Model 452
1/2" to 6" PVC Heater
with Manual Rotation



Operating, Maintenance, Safety and Parts Manual



Read and understand this material before operating or servicing this PVC heater. Failure to understand how to safely operate and service this unit may result in serious injury or death.

This manual is free of charge. All personnel who operate or service this PVC heater should have a copy of this manual and read and understand its contents. To request a copy, call or write to the address below.

CURRENTTOOLS • P. O. BOX 17026 GREENVILLE, SC 29606
800.230.5421 or 864.244.1201 • FAX 864.244.5860
www.currenttools.com

RETAIN SAFETY INFORMATION



This manual should be read and understood by all personnel who operate or service this PVC heater. Failure to understand how to safely operate and service this unit could result in injury or death. This unit should only be operated by qualified personnel.

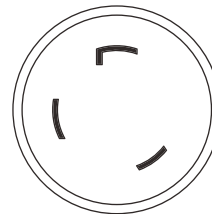
IMPORTANT SAFETY INFORMATION

- ALWAYS wear hand protection when operating this equipment and when bending PVC conduit. Use handle to open and close the PVC heater door(s).
- DO NOT use in wet conditions. DO NOT expose to rain or moisture.
- DO NOT use near flammable materials.
- DO NOT leave PVC heater unattended.
- Turn PVC heater off when not in use.
- Use for heating PVC conduit only. DO NOT use for any other purpose.
- Use only for PVC conduit sizes specified.
- Operate only in a well ventilated area.
- Use only with a grounded power source.

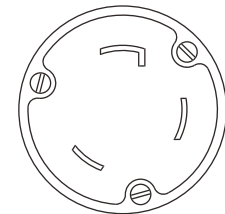
The electric plug on this PVC heater includes a grounding conductor and is the twist to lock type as shown. Only connect the unit to a 30 AMP receptacle which is properly installed and grounded to meet all applicable electrical codes. Do NOT remove or modify the plug in any way.

! WARNING !

ELECTRIC SHOCK HAZARD! Only connect this PVC Heater to a 30 AMP, properly grounded receptacle. Do NOT modify the plug which is provided with the unit. Failure to follow these warnings can result in serious injury or death.



LOCKING PLUG



RECEPTACLE

SPECIFICATIONS — 452 PVC Heater

Model No.	- 452 — Manual Rotation
Capacity	- 1/2" to 6" PVC conduit
Power	- 230 volts AC - Single Phase, 28 amps, 60 hz, 6400 watts
Dimensions	- 11 5/8" x 15 7/8" x 74"
Weight	- 72 lbs.

MATERIALS NEEDED

- Sponge or clean cloth
- Bucket with clean water
- Insulated gloves



OPERATING INSTRUCTIONS — 452 PVC Heater

1. Place PVC conduit heater on a flat, dry surface. Plug heater into a grounded power source. Turn switch to ON position.
2. Put on insulated gloves.
3. After warm-up period, (approximately 7 min.) place conduit on rollers inside the heater. Using handle, close door(s) over the section of PVC conduit to be heated.
4. Slowly rotate conduit by hand until pliable. To test, lift one end of the PVC conduit. Conduit is ready when it has a glossy appearance and bends when lifted.

NOTE: PVC conduit MUST be rotated to provide even heating and to prevent scorching.

NOTE: PVC conduit will take approximately 30 seconds to heat for each 1/2" of PVC conduit diameter. (Example: 2" PVC conduit will heat in approximately 2 minutes.)

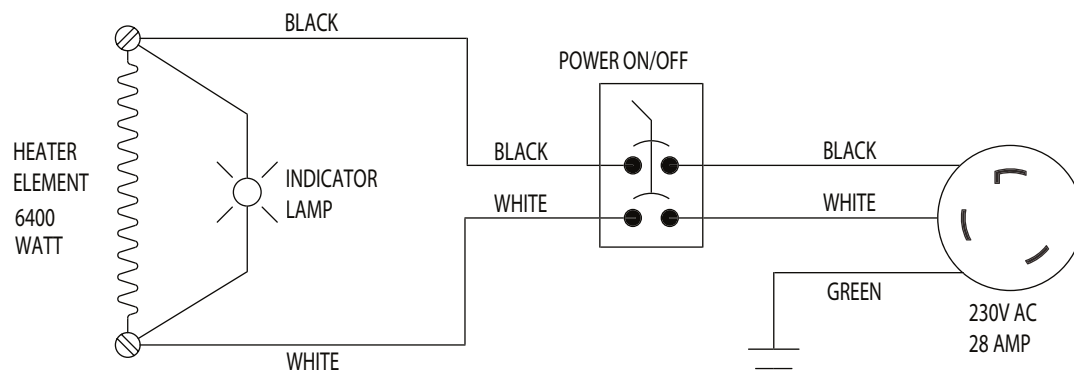
5. Open the heater door(s) using the handle and remove conduit from heater and place on a clean, flat surface. Hand bend to desired angle. The bend can be set by allowing to air cool or decrease this time by rubbing the bend with a sponge soaked in cool water. NOTE: Be sure to keep all liquids away from the PVC heater and turn unit off when not in use.



PVC CONDUIT HEATER ACCESSORIES

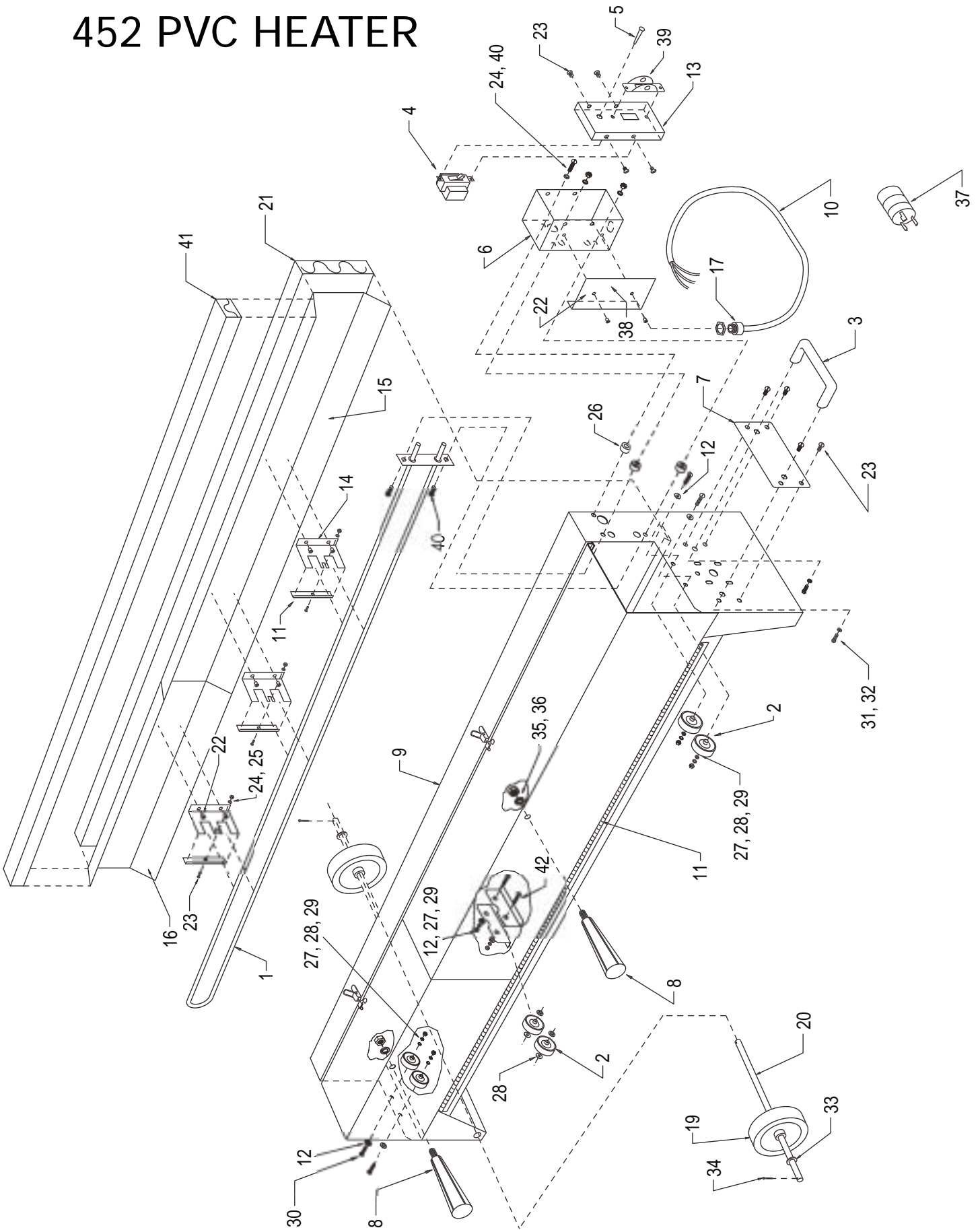
- To prevent flattening and crimping during the bending process, CurrentTools *plug sets* are recommended for 2" and larger PVC conduit.
- CurrentTools Model #454 PVC support stand is recommended to prevent sagging of the conduit during the heating process.

WIRING SCHEMATIC



EXPLODED VIEW

452 PVC HEATER





PARTS LIST — 452 PVC Heater

<u>ITEM#</u>	<u>PARTS#</u>	<u>QTY</u>	<u>DESCRIPTION</u>
1.....	452-1.....	1.....	HEATING ELEMENT
2.....	9518SR-9.....	6.....	SKATE WHEEL
3.....	450-11.....	1.....	LIFT HANDLE
4.....	452-19.....	1.....	SWITCH
5.....	452-20.....	1.....	INDICATOR LIGHT
6.....	452-6.....	1.....	ELECTRICAL BOX
7.....	452-13.....	1.....	COVER PLATE (HANDLE)
8.....	452-18.....	2.....	DOOR HANDLE
9.....	452-30.....	1.....	MAIN HOUSING FAB
10.....	452-31.....	1.....	POWER CORD
11.....	452-15.....	3.....	RETAINER CLIP
12.....	452-22.....	8.....	ADAPTER BUSHING
13.....	452-5.....	1.....	COVER-ELEC. BOX
14.....	452-14.....	3.....	RETAINER BRACKET
15.....	452-10.....	1.....	HEAT SHIELD-LONG
16.....	452-11.....	1.....	HEAT SHIELD-SHORT
17.....	452-21.....	1.....	STRAIN RELIEF
18.....	452-32.....	1.....	WIRING KIT (NOT SHOWN)
19.....	451-13.....	2.....	WHEEL
20.....	452-26.....	1.....	AXLE
21.....	450-9.....	1.....	INSULATION-2" THICK (9"W X 70"L)
22.....	450-28A.....	8.....	RIVET-3/16 x 1/4 SS
23.....	451-22.....	11.....	SLOTTED MACH. SCREW #10-32 X 3/8"
24.....	450-14J.....	6.....	#10 FLAT WASHER
25.....	451-21.....	6.....	#10-32 HEX NUT
26.....	450-20.....	3.....	SPACER
27.....	450-14G.....	6.....	1/4" LOCK WASHER
28.....	450-14I.....	6.....	1/4" FLAT WASHER
29.....	450-14C.....	6.....	1/4-20 HEX NUT
30.....	450-29.....	4.....	SLOTTED MACH. SCREW 1/4-20 X 1-1/4"
31.....	450-11A.....	2.....	HEX HD. CAP SCREW M8 X 12
32.....	450-11B.....	2.....	M8 LOCK WASHER
33.....	451-25.....	2.....	1/2" FLAT WASHER
34.....	451-23.....	2.....	COTTER PIN 3/32" X 3/4"
35.....	452-27.....	2.....	3/8 LOCK WASHER
36.....	452-28.....	2.....	3/8-16 HEX NUT
37.....	452-29.....	1.....	POWER PLUG
38.....	452-33.....	1.....	HEAT SHIELD
39.....	452-19A.....	1.....	SWITCH PROTECTOR
40.....	451-21.....	3.....	SLOTTED MACH. SCREW #10-32 X 5/8"
41.....	450-16.....	1.....	INSULATION-1" THICK (2"W X 70"L)
42.....	452-1B.....	2.....	SLOTTED MACH. SCREW 1/4-20 X 1 1/2"