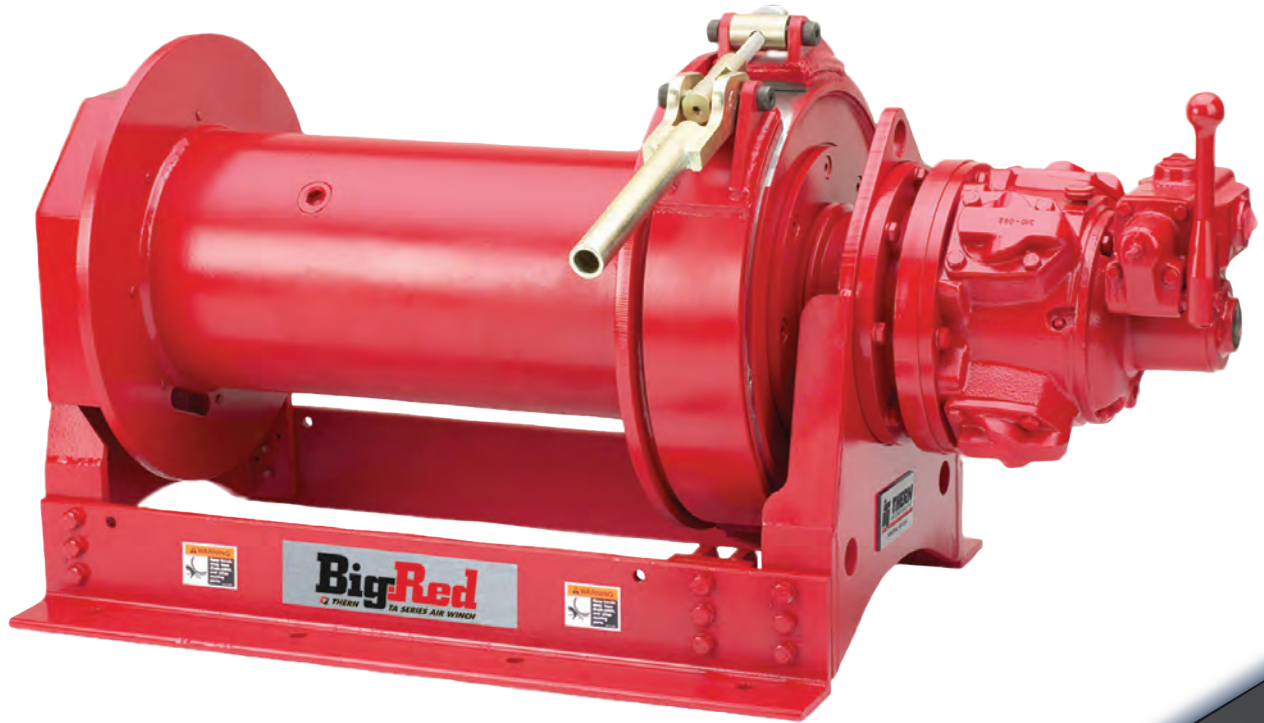




HEAVY-DUTY AIR WINCH

# BIG RED SERIES



thern.com  
(507) 454-2996

# BIG RED SERIES

HEAVY-DUTY AIR WINCHES



## POWER & VERSATILITY

### Configured Your Way to Suit any Job

The Big Red Series of air winches (7,200 to 37,000 pounds) is designed to lift, lower, pull, or position heavy loads in the harshest environments. Numerous options and accessories allow customization to meet your specific needs—but at off-the-shelf lead-times. A heavy-duty radial piston motor and multiple control and brake configurations make it perfect for marine, mining, construction, and oil and gas applications.

### Robust Frame & Drum

- Welded steel frame and drum components provide superior durability
- Multiple drum widths increase rope life and accommodate various load travel distances and fleet angles

### ASME B30.7 Compliance Available

- Contact Thern for details



Product Shown: TA10

### Durable Gears & Compact Gearbox Design

- Gearbox location within the drum and high-efficiency planetary gearing provides high torque and enhanced power in a compact envelope
- Oil bath, featuring double-lip seals, provides continuous lubrication for gears, minimizes heat, and increases service life while resisting contamination

### Multiple Brake Configurations

- Lever engaged/disengaged band brake for simple operation
- Automatic band brake enhances operator autonomy
- Sealed, automatic multi-disk brake, featuring continuous lubrication, allows extended duty cycles and resists contamination—ideal for corrosive and dirty environments

### Power Dense Radial Piston Motor

- Internally lubricated for reliability and exceptionally long service life
- Reversible, high-torque design allows precise yet flexible operation
- Powerful operation allows high capacity and faster line speeds

### Flexible Operation & Control

- Variable-speed control promotes smooth operation—perfect for precise spotting and long lifts
- Available manual-control lever simplifies operation
- Operator-friendly, remote pendant control (up to 50 feet) reduces operator fatigue (due to vibration) and promotes freedom of movement for better load/task visibility

## PERFORMANCE

### IMPERIAL

Series	Load Rating	Power Supply	Line Speed	Drum Capacity	Clutch
TA2	7,200 lbs	7.1 hp	30 fpm	1,270 ft	No
TA2H	3,600 lbs	7.1 hp	61 fpm	1,270 ft	No
TA2.5	7,200 lbs	18.3 hp	79 fpm	860 ft	No
TA5	18,000 lbs	17.8 hp	30 fpm	1,520 ft	No
TA7	23,600 lbs	14.4 hp	19 fpm	1,730 ft	No
TA10	37,000 lbs	27 hp	20 fpm	2,780 ft	No

### METRIC

Series	Load Rating	Power Supply	Line Speed	Drum Capacity	Clutch
TA2	3,265 kg	5.3 kW	9 mpm	385 m	No
TA2H	1,630 kg	5.3 kW	18.5 mpm	385 m	No
TA2.5	3,265 kg	13.6 kW	24 mpm	260 m	No
TA5	8,160 kg	13.3 kW	9 mpm	460 m	No
TA7	10,700 kg	10.7 kW	5.5 mpm	525 m	No
TA10	16,780 kg	20 kW	6 mpm	845 m	No

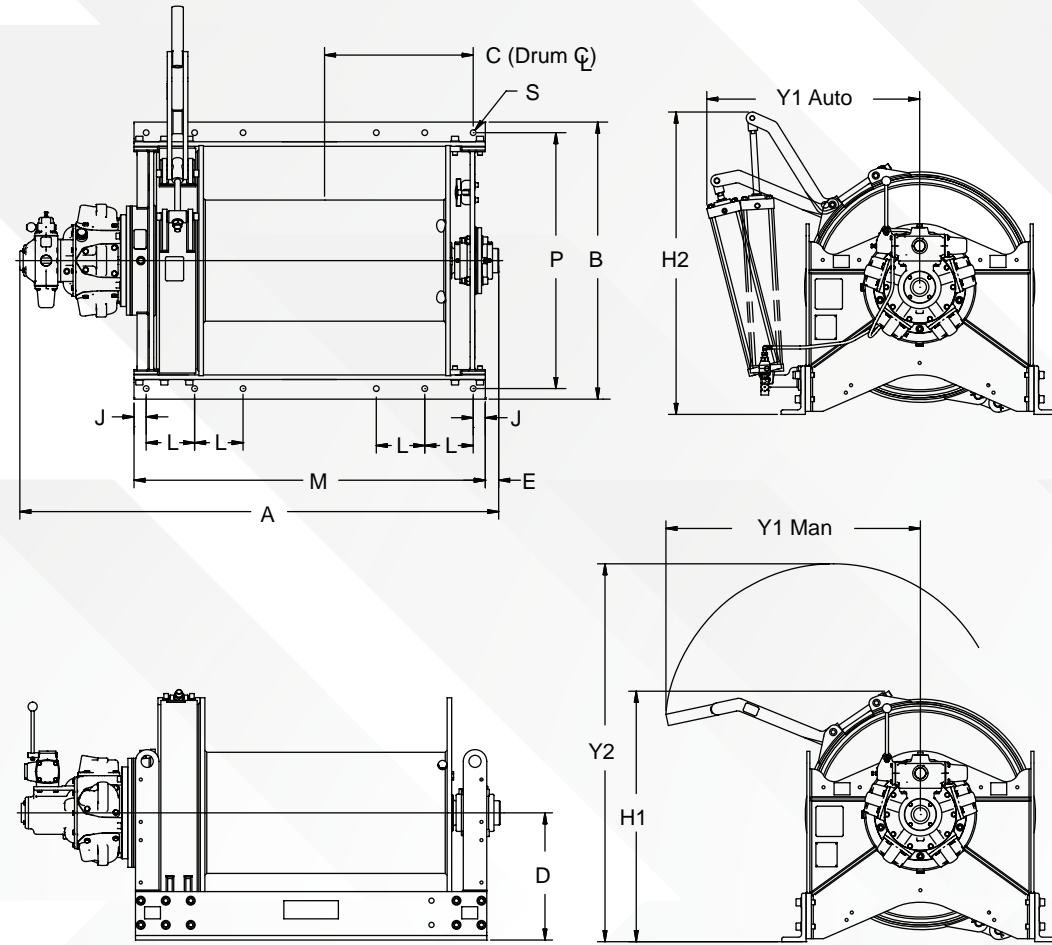


NOTICE: These products are not for lifting people or things over people.

Refer to technical pages for detailed performance information.



## Model TA10 Series



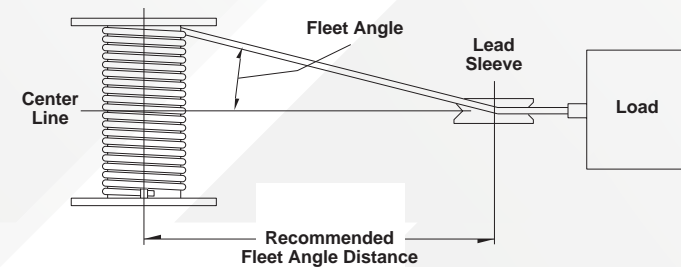
### BIG RED TA10 Series Performance Characteristics

TA10 Series		
Load Rating 1st Layer	37,000 lb	16,783 kg
Load Rating Mid Drum	27,400 lb	12,428 kg
Load Rating Full Drum	21,800 lb	9,888 kg
Line Speed 1st Layer *	20 fpm	6.1 m/min
Line Speed Mid Drum *	27 fpm	8.2 m/min
Line Speed Full Drum *	34 fpm	10.4 m/min
Input HP	27 hp	27 hp
Max. Stall Pull 1st Layer	63,000 lb **	28,576 kg
Pressure	90 psi	6.3 kgf/cm <sup>2</sup>
Flow	900 scfm	25 m <sup>3</sup> /min
Pipe Inlet Size	1.5 in	38.1 mm
Hose Size	1.5 in	38.1 mm

\* Line speeds vary based on conditions of air supply. Line speeds may run up to 20% slower when configured with auto band brakes.  
 \*\* Estimated value.

### BIG RED TA10 Series Fleet Angle Requirements

Model	Rope Diameter		Flange Diameter		Drum Width		Fleet Angle Distance	
	(in)	(mm)	(in)	(mm)	(in)	(mm)	(ft)	(m)
TA10-30	20	508	38	965	30	762	48	15
TA10-40	20	508	38	965	40	1,016	64	20
TA10-60	20	508	38	965	60	1,524	95	29



### BIG RED TA10 Series Air Winch Drum Capacities\*

Model	Wire Rope		Drum Width								
			30 in (762 mm)			40 in (1,016 mm)			60 in (1,524 mm)		
	Diameter	Breaking Strength**	1st Layer	Mid Drum	Full Drum	1st Layer	Mid Drum	Full Drum	1st Layer	Mid Drum	Full Drum
	(in) (mm)	(lb) (kg)	(ft) (m)	(ft) (m)	(ft) (m)	(ft) (m)	(ft) (m)	(ft) (m)	(ft) (m)	(ft) (m)	(ft) (m)
TA10	1-1/8 28.7	130,000 58,968	120 36	620 188	1,390 423	160 48	830 252	1,850 563	260 79	1,250 381	2,780 847

\* Drum capacity is based on a drum flange clearance at the top layer per ASME B30.7 \*\* Values based on 6x37 IWRC EIPS wire rope.

### BIG RED TA10 Series Air Winch Dimensions

Model	A		B		C		D		E		H1		H2		J		L	
	(in)	(mm)	(in)	(mm)	(in)	(mm)	(in)	(mm)	(in)	(mm)	(in)	(mm)	(in)	(mm)	(in)	(mm)	(lb)	(kg)
TA10-30	69	1,753	45.75	1,162	19.5	495	21	533	2.25	57	41.50	1,054	50	1,270	2	51	8	203
TA10-40	79	2,007	45.75	1,162	24.5	622	21	533	2.25	57	41.50	1,054	50	1,270	2	51	8	203
TA10-60	99	2,515	45.75	1,162	34.5	876	21	533	2.25	57	41.50	1,054	50	1,270	2	51	8	203

	M		P		S (hole diameter)		Y1 (man)		Y1 (auto)		Y2		# Bolts	Bolt Size	Weight *	
	(in)	(mm)	(in)	(mm)	(in)	(mm)	(in)	(mm)	(in)	(mm)	(in)	(mm)			(lb)	(kg)
TA10-30	48	1,219	42.25	1,073	.94	24	42	1,067	35.25	895	62.5	1,588	12	7/8 - G8	3,220	1,461
TA10-40	58	1,473	42.25	1,073	.94	24	42	1,067	35.25	895	62.5	1,588	12	7/8 - G8	3,515	1,595
TA10-60	78	1,981	42.25	1,073	.94	24	42	1,067	35.25	895	62.5	1,588	12	7/8 - G8	4,105	1,862

\* Weights based on MX1 configuration. Weights subject to change with configurations. Dimensions are for reference only and subject to change without notice. Please contact Thern for exact dimensions.



**MADE IN USA** 

**Thern, Incorporated**

World Headquarters  
5712 Industrial Park Road Winona, MN USA  
Toll Free: 1-800-843-7648  
Phone: 1-507-454-2996  
[www.thern.com](http://www.thern.com)

**Thern Europe**

Bedrijvenpark Twente 454e  
7602 KM Almelo The Netherlands  
Phone: +31-546-898-380  
[europa@thern.com](mailto:europa@thern.com)