



Eagle Pro Industrial Tools, Inc.  
 11F, 1200 West 73rd Ave  
 Vancouver BC V6P 6G5, Canada

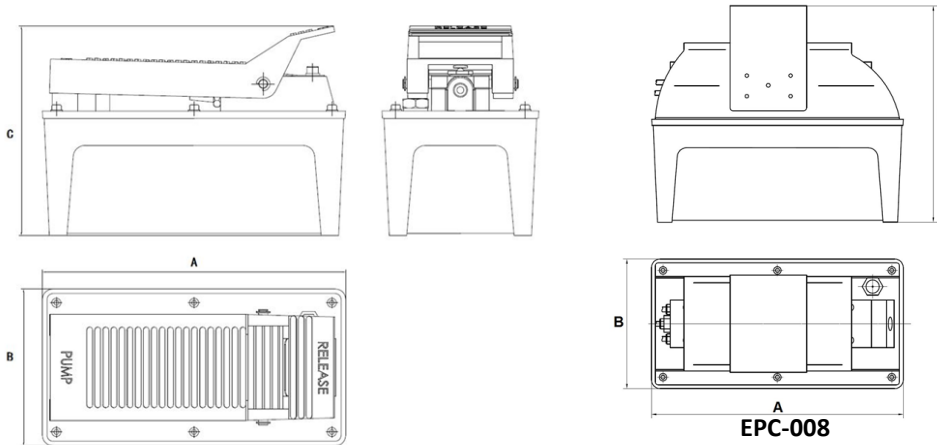
Phone: 888-845-3213

Fax: 888-735-3814

Email: sales@eagleprottools.com

Website: www.eagleprottools.com

# EPC Series AIR/HYDRAULIC PUMPS



## Imperial Measurements

MODEL	CYLINDER TYPE	PRESSURE RATING	AIR PRESSURE	AIR VOLUME	USABLE OIL VOLUME	FLOW RATE		VALVE FUNCTION	DIMENSIONS			RESERVOIR MATERIAL	CONTROL TYPE	WEIGHT
						NO LOAD	LOAD		A	B	C			LBS
		PSI	PSI	CFM	IN3	IN3	IN3	IN	IN	IN				
EPC-001	SINGLE ACTING	10,000	90 - 145	11	140	49.50	7.60	2W/2P	12.3	6.7	7.5	PLASTIC	FOOT PEDAL	26
EPC-002				11	98				10.4	5.4	7.3	ALUMINUM	FOOT PEDAL	19
EPC-003				11	275				12.5	7.0	7.5	STEEL	FOOT PEDAL	28
EPC-004				11	442				11.0	8.8	10.0	STEEL	FOOT PEDAL	36
EPC-008				11	98				10.3	5.3	7.3	ALUMINUM	REMOTE CONTROL	25
EPC-010				11	98				11.0	8.9	10.8	PLASTIC	FOOT PEDAL	19

## Metric Measurements

MODEL	CYLINDER TYPE	PRESSURE RATING	AIR PRESSURE	AIR VOLUME	USABLE OIL VOLUME	FLOW RATE		VALVE FUNCTION	DIMENSIONS			RESERVOIR MATERIAL	CONTROL TYPE	WEIGHT
						NO LOAD	LOAD		A	B	C			KG
		BAR	BAR	L/MIN	CM3	CM3	CM3	MM	MM	MM				
EPC-001	SINGLE ACTING	700	6-10	300	2300	0.8	0.12	2W/2P	312	170	190	PLASTIC	FOOT PEDAL	11.8
EPC-002				300	1600	0.8	0.12		263	136	185	ALUMINUM	FOOT PEDAL	8.6
EPC-003				300	4500	0.8	0.12		317	178	190	STEEL	FOOT PEDAL	12.7
EPC-004				300	7200	0.8	0.12		280	225	254	STEEL	FOOT PEDAL	16.5
EPC-008				300	1600	0.8	0.12		260	135	185	ALUMINUM	REMOTE CONTROL	11.4
EPC-010				300	1600	0.8	0.12		280	225	275	PLASTIC	FOOT PEDAL	8.6