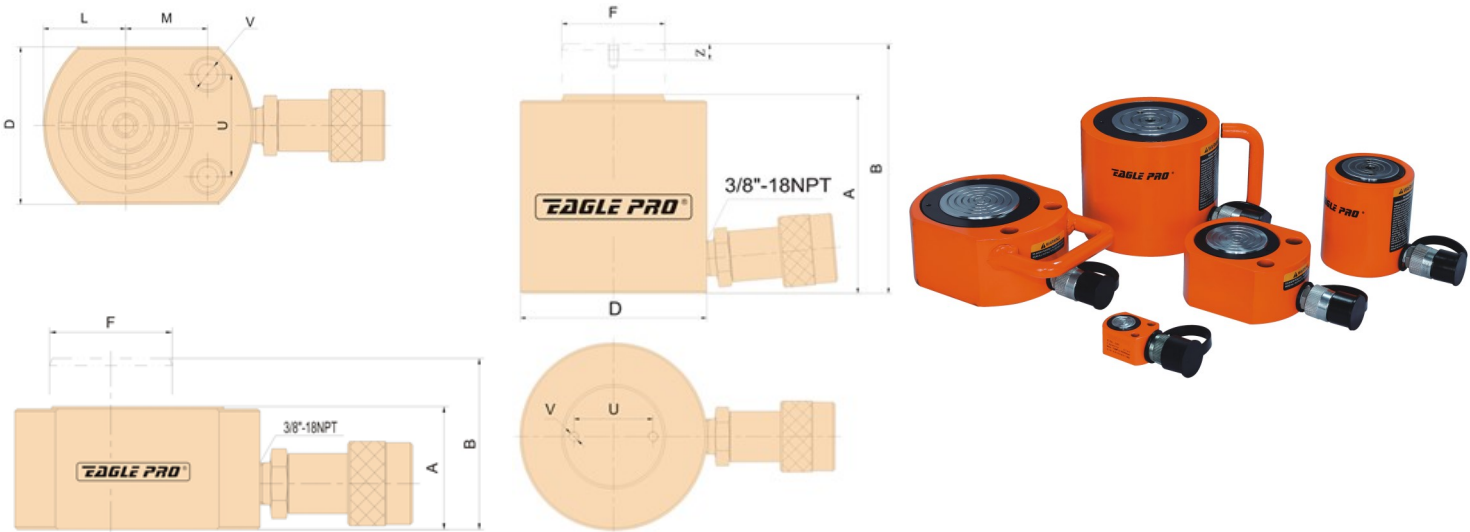


# ESL Series Hydraulic Cylinders



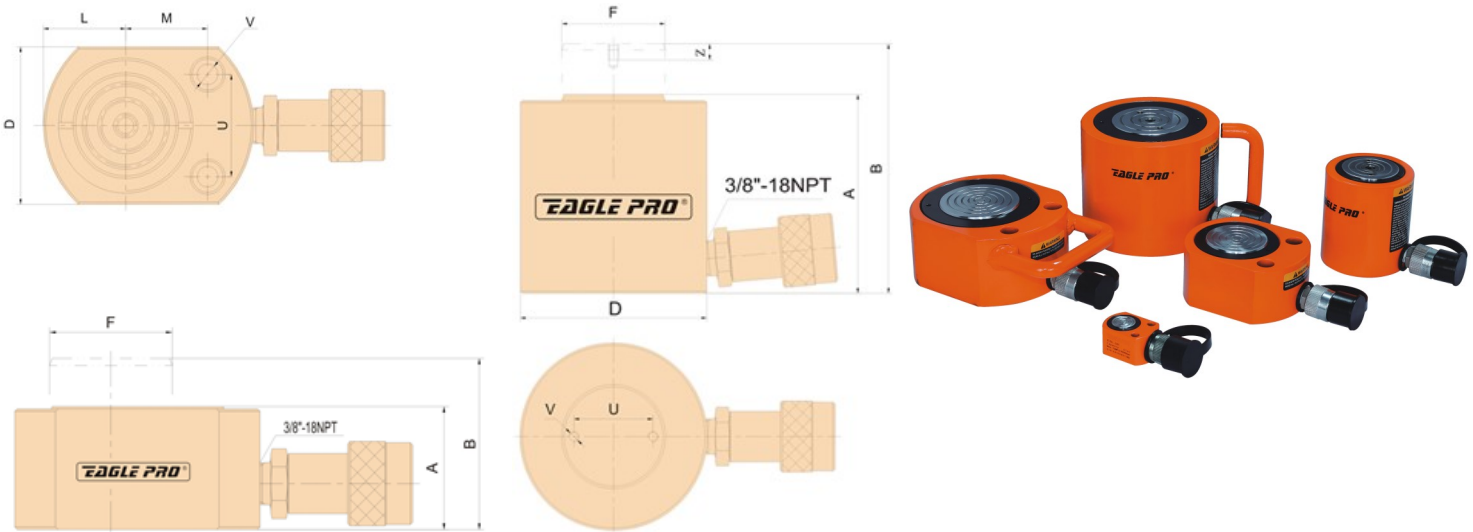
Note: ESL-50 has EAB-203A coupler. The other models have EAB-201A coupler.

## Imperial Measurements

MODEL	CYLINDER CAPACITY @ 10,000 PSI (700 BAR)	STROKE	CYLINDER EFFECTIVE AREA	OIL CAPACITY	COLLAPSED HEIGHT	EXTENDED HEIGHT	OUTSIDE DIAMETER	PISTON DIAMETE R	TOP DIMENSIONS				WEIGHT
					A	B	D		F	M	L	V	
	METRIC TON (US TON)	IN	IN2	IN3	IN	IN	IN	IN	IN	IN	IN	IN	LBS
ESL-50	5 (5.5)	0.24	1.10	0.26	1.30	1.54	2.32 X 1.65	0.98	0.91	0.83	0.22	1.12	1.30
ESL-100	10 (11)	0.39	2.25	0.88	1.65	2.09	3.27 X 2.20	1.50	1.34	1.10	0.28	1.44	3.30
ESL-200	20 (22)	0.43	4.39	1.90	2.01	2.44	3.98 X 3.00	2.01	1.57	1.57	0.39	1.94	5.90
ESL-300	30 (33)	0.51	6.48	3.31	2.30	2.80	4.61 X 3.74	2.60	1.77	1.89	0.39	2.05	9.50
ESL-500	50 (55)	0.63	9.86	6.21	2.64	3.27	5.51 X 4.49	2.76	2.13	2.24	0.43	2.62	14.70
ESL-750	75 (82.5)	0.63	16.10	10.14	3.11	3.74	6.50 X 5.47	3.27	2.60	2.72	0.53	3.00	25.10
ESL-1000	100 (102.2)	0.63	20.58	12.96	3.39	4.02	7.01 X 6.02	3.62	2.91	2.99	0.53	3.00	31.90
ESL-1500	150 (154.8)	0.63	31.17	19.63	3.94	4.57	8.46 X 7.48	4.53	3.23	3.74	0.53	4.62	57.90

CYLINDER CAPACITY @ 10,000 PSI (700 BAR)	STROKE	CYLINDER EFFECTIVE AREA	OIL CAPACITY	COLLAPSED HEIGHT	EXTENDED HEIGHT	OUTSIDE DIAMETER	PISTON DIAMETE R	BASE FIXTURING HOLES			WEIGHT
				A	B	D		F	BOLT CIRCLE	THREAD	
				IN	IN	IN	IN	IN	IN	IN	IN
10 (11)	1.50	2.23	3.34	3.46	4.96	2.72	1.50	1.02	M4	0.31	9.02
20 (22)	1.77	4.39	7.77	3.86	5.63	3.62	2.01	1.54	M5	0.31	10.34
30 (33)	2.44	6.48	15.81	4.61	7.05	4.02	2.60	1.54		0.31	14.96
50 (55)	2.36	9.86	23.28	4.80	7.17	4.88	2.76	1.54		0.31	22.22
100 (102.2)	2.24	20.58	46.17	5.55	7.80	6.50	3.62	2.17	M8	0.43	42.24

# ESL Series Hydraulic Cylinders



Note: ESL-50 has EAB-203A coupler. The other models have EAB-201A coupler.

## Metric Measurements

MODEL	CYLINDER CAPACITY @ 10,000 PSI (700 BAR)	STROKE	CYLINDER EFFECTIVE AREA	OIL CAPACITY	COLLAPSED HEIGHT	EXTENDED HEIGHT	OUTSIDE DIAMETER	PISTON DIAMETER	TOP DIMENSIONS				WEIGHT
					A	B	D	F	M	L	V	U	
	METRIC TON (US TON)	MM	CM2	CM3	MM	MM	MM	MM	MM	MM	MM	MM	MM
ESL-50	5 (5.5)	6.00	7.10	4.00	33.00	39.00	59 X 42	25.00	23.00	21.00	5.50	28.50	0.60
ESL-100	10 (11)	10.00	14.50	15.00	42.00	53.00	83 X 56	38.00	34.00	28.00	7.00	36.60	1.50
ESL-200	20 (22)	11.00	28.30	31.00	51.00	62.00	101 X 76	51.00	40.00	40.00	10.00	49.30	2.70
ESL-300	30 (33)	13.00	41.80	54.00	58.50	71.00	117 X 95	66.00	45.00	48.00		52.00	4.30
ESL-500	50 (55)	16.00	63.60	102.00	67.00	83.00	140 X 114	70.00	54.00	57.00	11.00	66.50	6.70
ESL-750	75 (82.5)	16.00	103.90	166.00	79.00	95.00	165 X 139	83.00	66.00	69.00	13.50	76.20	11.40
ESL-1000	100 (102.2)	16.00	132.80	212.00	86.00	102.00	178 X 153	92.00	74.00	76.00		14.50	
ESL-1500	150 (154.8)	16.00	201.10	322.00	100.00	116.00	215 X 190	115.00	82.00	95.00		117.30	26.30

MODEL	CYLINDER CAPACITY @ 10,000 PSI (700 BAR)	STROKE	CYLINDER EFFECTIVE AREA	OIL CAPACITY	COLLAPSED HEIGHT	EXTENDED HEIGHT	OUTSIDE DIAMETER	PISTON DIAMETER	BASE FIXTURING HOLES			WEIGHT
					A	B	D	F	BOLT CIRCLE	THREAD	THREAD DEPTH	
	METRIC TON (US TON)	MM	CM2	CM3	MM	MM	MM	MM	MM	MM	MM	MM
ESL-101	10 (11)	38.00	14.40	55.00	88.00	126.00	69.00	38.00	26.00	M4	8.00	4.10
ESL-201	20 (22)	45.00	28.30	127.00	98.00	143.00	92.00	51.00				4.70
ESL-302	30 (33)	62.00	41.80	259.00	117.00	179.00	102.00	66.00				6.80
ESL-502	50 (55)	60.00	63.60	382.00	122.00	182.00	124.00	70.00	39.00	M5	8.00	10.10
ESL-1002	100 (102.2)	57.00	132.80	757.00	141.00	198.00	165.00	92.00				55.00