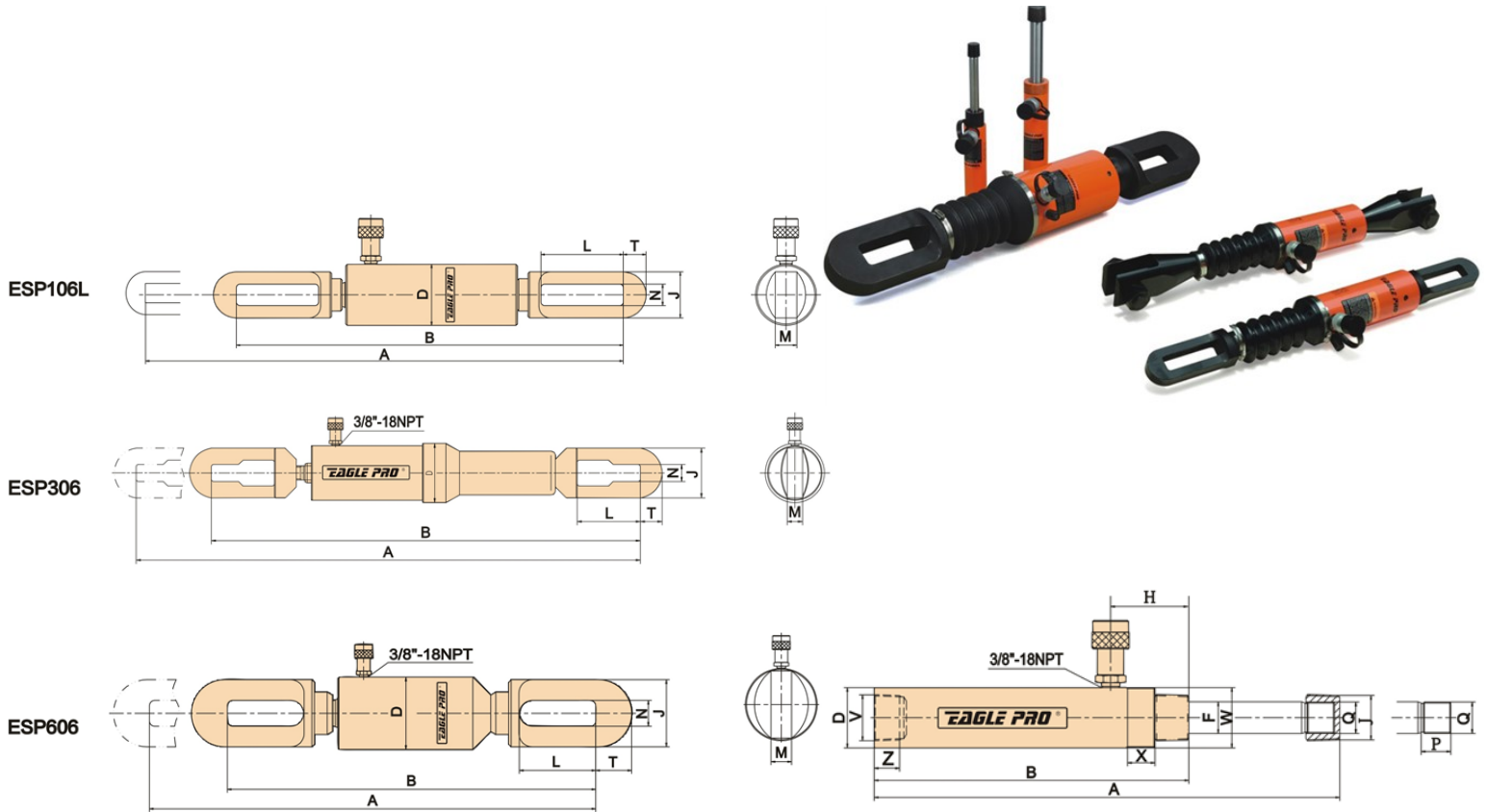


ESP Series Hydraulic Pull Cylinders



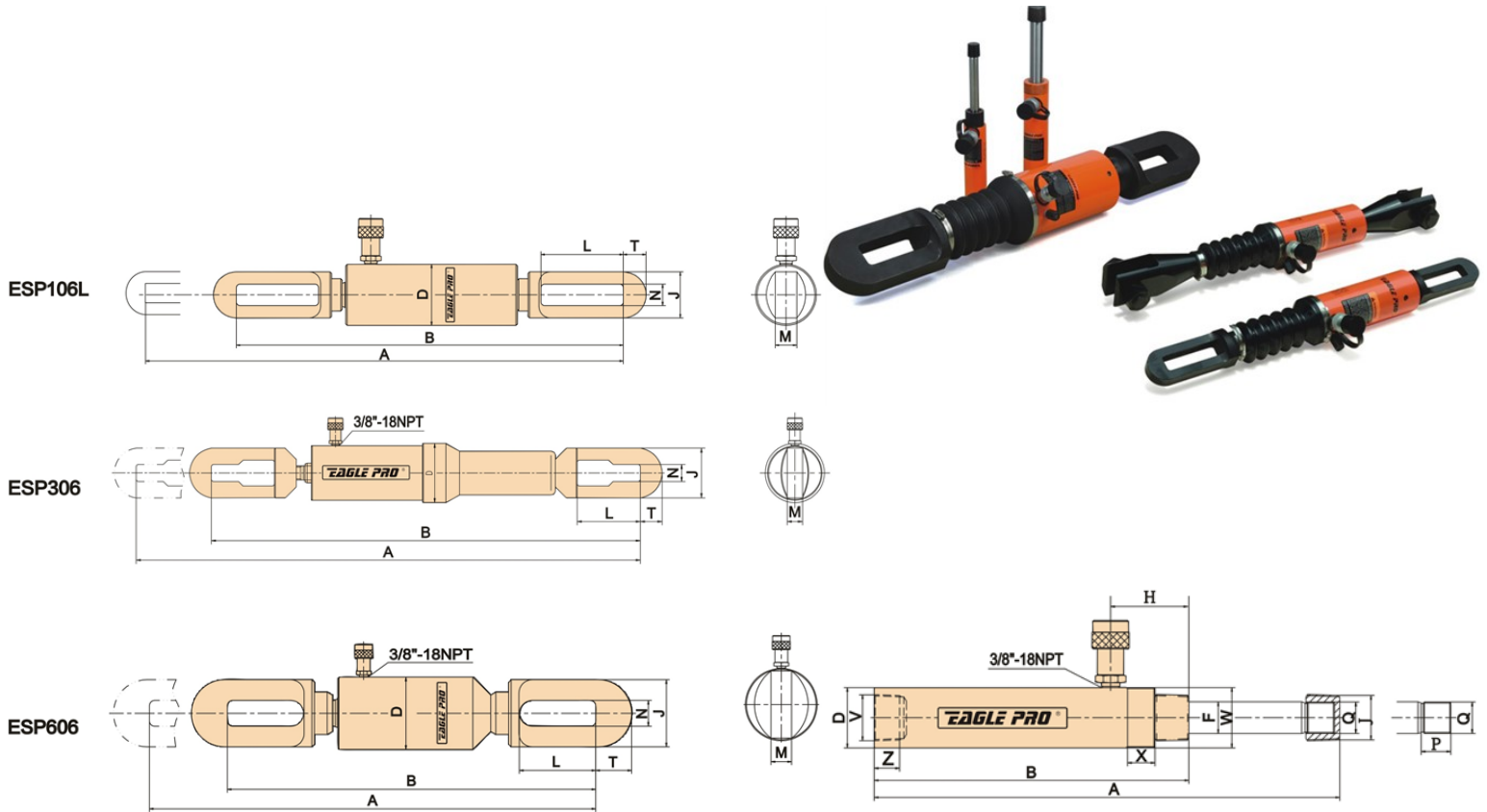
ESP25 ESP46 ESP106

Imperial Measurements

MODEL	CYLINDER CAPACITY @ 10,000 PSI (700 BAR)	STROKE	CYLINDER EFFECTIVE AREA		OIL CAPACITY		EXTENDED HEIGHT	COLLAPSED HEIGHT	OUTSIDE DIAMETER	LINK WIDTH	LINK LENGTH	LINK BOLT DIAMETER	LINK OPENING WIDTH	LINK END WIDTH	WEIGHT
	METRIC TON (US TON)		IN	IN2	IN3	IN	IN	IN	IN	IN	IN	IN	IN	IN	
ESP-106C	10 (11)	5.94	2.19	13.02	29.06	23.11	3.35	4.69	2.44	1.18	1.38	1.26	35.20		
ESP-106L					27.24	21.30		2.52	4.53	0.87	1.18	1.26	29.26		
ESP-306	30 (33)	6.10	7.40	45.11	48.82	42.72	5.35	4.49	5.71	1.38	1.54	1.97	106.04		
ESP-606	50 (55)	5.98	11.05	66.11	34.29	28.31	5.51	5.12	5.87	1.57	1.97	2.76	117.92		

MODEL	CYLINDER CAPACITY @ 10,000 PSI (700 BAR)	STROKE	CYLINDER EFFECTIVE AREA		OIL CAPACITY		EXTENDED HEIGHT	COLLAPSED HEIGHT	OUTSIDE DIAMETER	PISTON DIAMETER	TOP TO INLET PORT	SADDLE DIAMETER	PISTON THREAD LENGTH	PISTON DIAMETER	BASE MOUNTING HOLE	COLLAR THREAD	COLLAR THREAD LENGTH	BASE MOUNTING HOLE THREAD	WEIGHT
	METRIC TON (US TON)		IN	IN2	IN3	IN	IN	IN	IN	IN	IN	IN	IN	IN	IN	IN	IN	IN	
ESP-25	2.5 (2.75)	5.00	0.61	3.04	15.39	10.39	1.95	0.79	1.77	3/4 - 14	0.87	1-1/16 - 24	3/4 - 14NPT	1-1/2 - 16UN	1.06	0.67	3.96		
ESP-46	5 (5.5)	5.51	1.16	6.41	17.36	11.85	2.25	1.18	1.65	-1/4 - 11-1/2	1.10	1-3/16 - 16	1-1/4 - 11-1/2NPT	2-1/4 - 14UN	1.02	0.94	9.90		
ESP-106	10 (11)	5.94	2.19	13.02	17.32	11.38	3.35	1.38	1.54	-	0.79	M30 X 2	M30 X 2	M85 X 2	0.98	1.06	20.90		

ESP Series Hydraulic Pull Cylinders



ESP25 ESP46 ESP106

Metric Measurements

MODEL	CYLINDER CAPACITY @ 10,000 PSI (700 BAR)	STROKE	CYLINDER EFFECTIVE AREA	OIL CAPACITY	EXTENDED HEIGHT	COLLAPSED HEIGHT	OUTSIDE DIAMETER	LINK WIDTH	LINK LENGTH	LINK BOLT DIAMETER	LINK OPENING WIDTH	LINK END WIDTH	WEIGHT
					A	B	D	J	L	M	N	T	
	METRIC TON (US TON)	MM	CM2	CM3	MM	MM	MM	MM	MM	MM	MM	MM	KG
ESP-106C	10 (11)	151	15.7	237	587	587	86	119	62	119	35	32	16
ESP-106L					542	542	86	67	115	67	30	32	13.3
ESP-306	30 (33)	155	47.6	737	1085	1085	137	114	145	114	39	50	48.2
ESP-606	50 (55)	152	72	1096	720	720	139	130	149	130	50	70	53.6

MODEL	CYLINDER CAPACITY @ 10,000 PSI (700 BAR)	STROKE	CYLINDER EFFECTIVE AREA	OIL CAPACITY	EXTENDED HEIGHT	COLLAPSED HEIGHT	OUTSIDE DIAMETER	PISTON DIAMETER	TOP TO INLET PORT	SADDLE DIAMETER	PISTON THREAD LENGTH	PISTON DIAMETER	BASE MOUNTING HOLE	COLLAR THREAD	COLLAR THREAD LENGTH	BASE MOUNTING HOLE THREAD LENGTH	WEIGHT
					A	B	D	F	H	J	P	Q	V	W	X	Z	
	METRIC TON (US TON)	MM	CM2	CM3	MM	MM	MM	MM	MM	IN	MM	IN	IN	IN	MM	MM	KG
ESP-25	2.5 (2.75)	127	3.9	54	265	392	49	19	45	3/4 - 14	28	11/16 - 24	3/4 - 14NPT	1-1/2 - 16UN	24	17	1.8
ESP-46	5 (5.5)	140	7.3	102	302	442	57	30	42	1-1/4 - 11-1/2	32	1-3/16 - 16	1-1/4 - 11-1/2NPT	2-1/4 - 14UN	26	24	4.5
ESP-106	10 (11)	151	15	227	289	440	84	32	39	-	25	M30X2	M30X2	M85X2	25	24	9.5