



Eagle Pro Industrial Tools, Inc.

11F, 1200 West 73rd Ave

Vancouver BC V6P 6G5, Canada

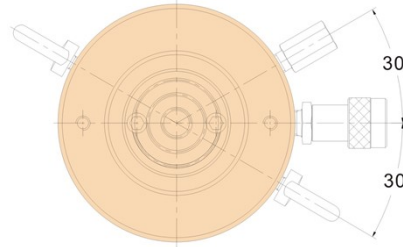
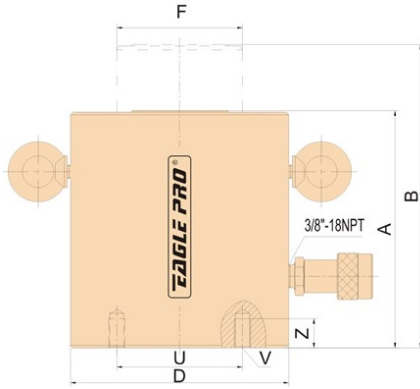
Phone: 888-845-3213

Fax: 888-735-3814

Email: sales@eagleprottools.com

Website: www.eagleprottools.com

# ESX Series Hydraulic Cylinders



Imperial Measurements



MODEL	CYLINDER CAPACITY @ 10,000 PSI (700 BAR)	STROKE	CYLINDER EFFECTIVE AREA	OIL CAPACITY	COLLAPSED	EXTENDED	OUTSIDE	PISTON	BASE FIXTURING HOLES			WEIGHT	OPTIONAL TILT SADDLE
					HEIGHT	HEIGHT	DIAMETER	DIAMETER	BOLT CIRCLE	THREAD	THREAD DEPTH		
					A	B	D	F	U	V	Z		
	METRIC TON (US TON)	IN	IN <sup>2</sup>	IN <sup>3</sup>	IN	IN	IN	IN	IN	IN	IN	LBS	MODEL
ESX-502	50 (55)	1.97	11.69	23.00	6.38	8.35	5.08	2.76	2.56	M12	0.87	35.20	STX-50
ESX-504	50 (55)	3.94	11.69	45.99	8.35	12.28	5.08	2.76	2.56	M12	0.87	41.80	
ESX-506	50 (55)	5.91	11.69	68.99	10.31	16.22	5.08	2.76	2.56	M12	0.87	50.60	
ESX-508	50 (55)	7.87	11.69	91.99	12.28	20.16	5.08	2.76	2.56	M12	0.87	57.20	
ESX-5010	50 (55)	9.84	11.69	114.99	14.25	24.09	5.08	2.76	2.56	M12	0.87	66.00	
ESX-5012	50 (55)	11.81	11.69	137.98	16.22	28.03	5.08	2.76	2.56	M12	0.87	74.80	STX-100
ESX-1002	100 (105)	1.97	20.57	40.47	7.05	9.02	6.50	3.74	3.74	M12	0.87	61.60	
ESX-1004	100 (105)	3.94	20.57	80.95	9.02	12.95	6.50	3.74	3.74	M12	0.87	74.80	
ESX-1006	100 (105)	5.91	20.57	121.42	10.98	16.89	6.50	3.74	3.74	M12	0.87	88.00	
ESX-1008	100 (105)	7.87	20.57	161.89	12.95	20.83	6.50	3.74	3.74	M12	0.87	101.20	
ESX-10010	100 (105)	9.84	20.57	202.37	14.92	24.76	6.50	3.74	3.74	M12	0.87	114.40	STX-150
ESX-10012	100 (105)	11.81	20.57	242.84	16.89	28.70	6.50	3.74	3.74	M12	0.87	127.60	
ESX-1502	150 (155)	1.97	31.16	61.31	7.72	9.69	8.11	4.53	5.12	M12	0.87	105.60	
ESX-1504	150 (155)	3.94	31.16	122.61	9.69	13.62	8.11	4.53	5.12	M12	0.87	125.40	
ESX-1506	150 (155)	5.91	31.16	183.92	11.65	17.56	8.11	4.53	5.12	M12	0.87	145.20	
ESX-1508	150 (155)	7.87	31.16	245.22	13.62	21.50	8.11	4.53	5.12	M12	0.87	165.00	STX-200
ESX-15010	150 (155)	9.84	31.16	306.53	15.59	25.43	8.11	4.53	5.12	M12	0.87	187.00	
ESX-15012	150 (155)	11.81	31.16	367.83	17.56	29.37	8.11	4.53	5.12	M12	0.87	206.80	
ESX-2002	200 (220)	1.97	41.66	81.98	8.35	10.31	9.29	5.31	6.50	M12	0.87	149.60	
ESX-2006	200 (220)	5.91	41.66	245.95	12.28	18.19	9.29	5.31	6.50	M12	0.87	204.60	
ESX-20012	200 (220)	11.81	41.66	491.90	18.19	30.00	9.29	5.31	6.50	M12	0.87	283.80	STX-250
ESX-2502	250 (275)	1.97	56.28	110.75	9.25	11.22	10.83	6.50	7.48	M12	0.98	228.80	
ESX-2506	250 (275)	5.91	56.28	332.24	13.19	19.09	10.83	6.50	7.48	M12	0.98	305.80	
ESX-25012	250 (275)	11.81	56.28	664.47	19.09	30.91	10.83	6.50	7.48	M12	0.98	422.40	
ESX-3002	300 (330)	1.97	70.12	137.98	12.28	14.25	12.20	7.68	7.09	M16	1.18	389.40	
ESX-3006	300 (330)	5.91	70.12	413.95	16.22	22.13	12.20	7.68	7.09	M16	1.18	490.60	
ESX-30012	300 (330)	11.81	70.12	827.89	22.13	33.94	12.20	7.68	7.09	M16	1.18	644.60	
ESX-4002	400 (440)	1.97	85.48	168.21	14.72	16.69	13.78	8.46	8.07	M16	1.18	594.00	
ESX-4006	400 (440)	5.91	85.48	504.62	18.66	24.57	13.78	8.46	8.07	M16	1.18	726.00	
ESX-40012	400 (440)	11.81	85.48	1009.25	24.57	36.38	13.78	8.46	8.07	M16	1.18	926.20	STX-400
ESX-5002	500 (550)	1.97	113.24	222.83	16.50	18.46	15.75	9.84	9.84	M24	1.42	882.20	
ESX-5006	500 (550)	5.91	113.24	668.50	20.43	36.34	15.75	9.84	9.84	M24	1.42	1056.00	
ESX-50012	500 (550)	11.81	113.24	1337.00	26.34	38.15	15.75	9.84	9.84	M24	1.42	1317.80	
ESX-6002	600 (660)	1.97	132.57	260.87	16.89	18.86	16.93	10.43	10.83	M24	1.42	1042.80	
ESX-6006	600 (660)	5.91	132.57	782.60	20.83	26.73	16.93	10.43	10.83	M24	1.42	1243.00	
ESX-60012	600 (660)	11.81	132.57	1565.20	26.73	38.54	16.93	10.43	10.83	M24	1.42	1542.20	
ESX-8002	800 (880)	1.97	180.45	355.08	19.06	21.02	19.88	12.60	12.99	M24	1.42	1630.20	
ESX-8006	800 (880)	5.91	180.45	1065.24	22.99	28.90	19.88	12.60	12.99	M24	1.42	1909.60	
ESX-80012	800 (880)	11.81	180.45	2130.49	28.90	40.71	19.88	12.60	12.99	M24	1.42	2327.60	STX-800
ESX-10002	1000 (1100)	1.97	225.14	443.01	22.20	24.17	22.05	13.58	14.76	M24	1.42	2336.40	
ESX-10006	1000 (1100)	5.91	225.14	1329.04	26.14	32.05	22.05	13.58	14.76	M24	1.42	2668.60	
ESX-10012	1000 (1100)	11.81	225.14	2658.08	32.05	43.86	22.05	13.58	14.76	M24	1.42	3165.80	



Eagle Pro Industrial Tools, Inc.

11F, 1200 West 73rd Ave

Vancouver BC V6P 6G5, Canada

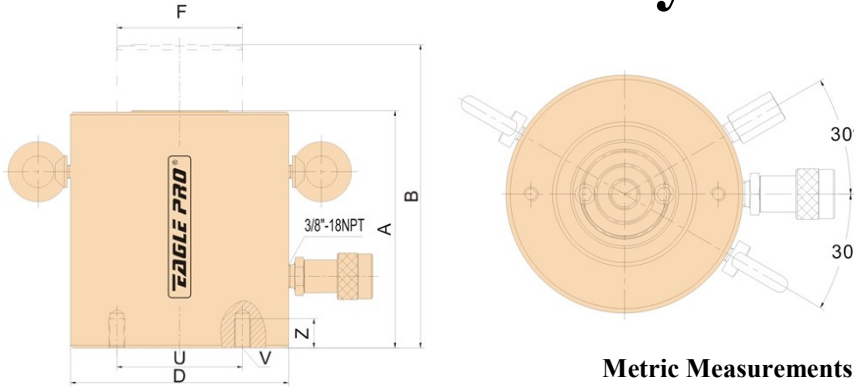
Phone: 888-845-3213

Fax: 888-735-3814

Email: sales@eagleprotools.com

Website: www.eagleprotools.com

# ESX Series Hydraulic Cylinders



Metric Measurements

MODEL	CYLINDER CAPACITY @ 10,000 PSI (700 BAR)	STROKE	CYLINDER EFFECTIVE AREA	OIL CAPACITY	COLLAPSED HEIGHT	EXTENDED HEIGHT	OUTSIDE DIAMETER	PISTON DIAMETER	BASE FIXTURING HOLES			WEIGHT	OPTIONAL TILT SADDLE
									BOLT CIRCLE	THREAD	THREAD DEPTH		
									U	V	Z		
METRIC TON (US TON)	MM	CM <sup>2</sup>	CM <sup>3</sup>	MM	MM	MM	MM	MM	MM	MM	MM	KG	MODEL
ESX-502	50 (55)	50	75.4	36.9	162	212	130	70	65	M12	23	17	STX-50
ESX-504	50 (55)	100	75.4	36.9	212	312	130	70	65	M12	23	20	
ESX-506	50 (55)	150	75.4	36.9	262	412	130	70	65	M12	23	23	
ESX-508	50 (55)	200	75.4	36.9	312	512	130	70	65	M12	23	27	
ESX-5010	50 (55)	250	75.4	36.9	362	612	130	70	65	M12	23	31	
ESX-5012	50 (55)	300	75.4	36.9	412	712	130	70	65	M12	23	34	
ESX-1002	100 (105)	50	132.5	664	182	232	165	95	95	M12	23	28	STX-100
ESX-1004	100 (105)	100	132.5	1327	232	332	165	95	95	M12	23	33	
ESX-1006	100 (105)	150	132.5	1991	282	432	165	95	95	M12	23	40	
ESX-1008	100 (105)	200	132.5	2655	332	532	165	95	95	M12	23	50	
ESX-10010	100 (105)	250	132.5	3318	382	632	165	95	95	M12	23	61	
ESX-10012	100 (105)	300	132.5	3982	432	732	165	95	95	M12	23	71	
ESX-1502	150 (155)	50	202.5	1010	196	246	205	115	130	M12	23	39	STX-150
ESX-1504	150 (155)	100	202.5	2020	246	346	205	115	130	M12	23	52	
ESX-1506	150 (155)	150	202.5	3028	296	446	205	115	130	M12	23	65	
ESX-1508	150 (155)	200	202.5	4038	346	546	205	115	130	M12	23	78	
ESX-15010	150 (155)	250	202.5	5048	396	646	205	115	130	M12	23	92	
ESX-15012	150 (155)	300	202.5	6058	446	746	205	115	130	M12	23	105	
ESX-2002	200 (220)	50	266	1330	216	266	235	135	165	M12	23	55	STX-200
ESX-2006	200 (220)	150	266	3989	316	466	235	135	165	M12	23	91	
ESX-20012	200 (220)	300	266	7977	466	766	235	135	165	M12	23	146	
ESX-2502	250 (275)	50	362.7	1813	235	285	275	165	190	M12	23	89	STX-250
ESX-2506	250 (275)	150	362.7	5442	335	485	275	165	190	M12	23	136	
ESX-25012	250 (275)	300	362.7	10883	485	785	275	165	190	M12	23	207	
ESX-3002	300 (330)	50	452	2262	312	362	310	200	180	M16	30	184	STX-300
ESX-3006	300 (330)	150	452	6786	412	562	310	200	180	M16	30	232	
ESX-30012	300 (330)	300	452	13571	562	862	310	200	180	M16	30	303	
ESX-4002	400 (440)	50	572	2860	375	425	350	215	205	M16	30	270	STX-400
ESX-4006	400 (440)	150	572	8580	475	625	350	215	205	M16	30	330	
ESX-40012	400 (440)	300	572	17230	625	925	350	215	205	M16	30	421	
ESX-5002	500 (550)	50	730.6	3653	419	469	400	250	250	M24	36	401	STX-500
ESX-5006	500 (550)	150	730.6	10959	519	669	400	250	250	M24	36	480	
ESX-50012	500 (550)	300	730.6	21918	669	969	400	250	250	M24	36	599	
ESX-6002	600 (660)	50	855.3	4276	429	479	430	270	275	M24	36	474	STX-600
ESX-6006	600 (660)	150	855.3	12829	529	679	430	270	275	M24	36	565	
ESX-60012	600 (660)	300	855.3	25659	679	979	430	270	275	M24	36	701	
ESX-8002	800 (880)	50	1163	5816	474	524	505	320	330	M24	36	741	STX-800
ESX-8006	800 (880)	150	1163	17450	574	724	505	320	330	M24	36	868	
ESX-80012	800 (880)	300	1163	34900	724	1024	505	320	330	M24	36	1058	
ESX-10002	1000 (1100)	50	1450	7255	564	614	560	345	375	M24	36	1062	STX-1000
ESX-10006	1000 (1100)	150	1450	21766	664	814	560	345	375	M24	36	1213	
ESX-10012	1000 (1100)	300	1450	43532	814	1114	560	345	375	M24	36	1439	