

EAGLE PRO®

WORLDWIDE HYDRAULIC SOLUTIONS



- ▶ **ESW** series hydraulic torque wrench
- ▶ **EHW** series hydraulic torque wrench
- ▶ **TWP** series torque wrench pump

Eagle Pro Industrial Tools, Inc.

Add: 11F, 1200 West 73rd Ave., Vancouver BC V6P 6G5, Canada

Tel: 604-266-0031 Fax: 888-735-8314

www.eagleprotools.com

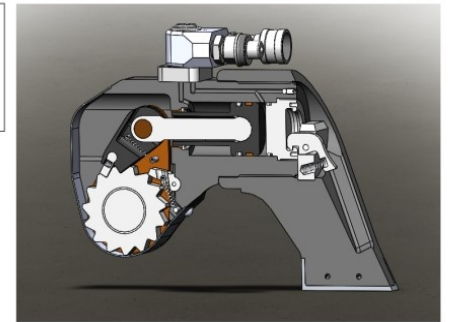
ESW SQUARE DRIVE TORQUE WRENCHES

EAGLE PRO®

The ESW series torque wrenches were designed with accuracy, reliability, and ease of use in mind. A fully positionable, 360° rotating reaction arm allows you to put the torque wrench head where you need it. The multi-port swiveling inlet keeps the hydraulic hoses out of your way while you work. Quick release square drive allows you to switch from tightening and loosening operations without any special tools. Compact, light-weight, high strength Aluminum alloy construction makes these wrenches a breeze to carry to the job site. Designed using 3D CAD modeling software, the ESW torque wrenches will provide consistent torque within +/- 3%.



Fast and efficient operation. 35° rotation angle and fast return stroke

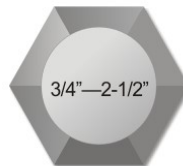


Quick release square drive made from high strength, heat treated steel

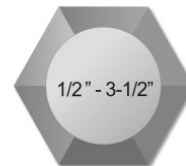


Be sure to select the correct torque wrench for your application. Loosening torque requires approximately 250% more than tightening torque

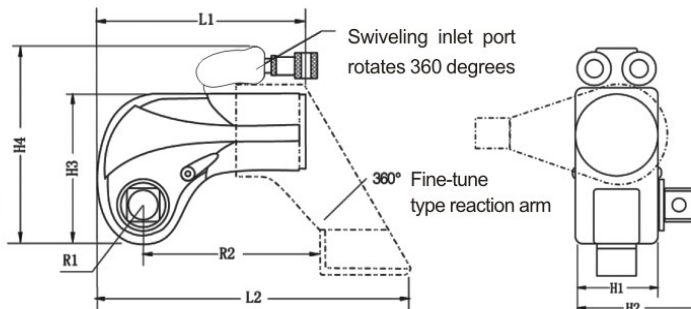
Square Drive Range



Socket Range



Max. Torque @ 10,000 PSI



MODEL	SQUARE DRIVE	TORQUE RANGE @ 10,000 PSI		RECOMMENDED BOLT/NUT RANGE		Weight	L1	L2	H1	H2	H3	H4	R1	R2
		IN	FT LBS	NM	IN									
ESW-1	3/4	139-1395	189 - 1897	1/2 - 1-3/8	16-36	4.4	5.12	7.17	1.97	2.83	3.9	5.67	1.02	3.9
ESW-3	1	331-3317	450 - 4510	7/8 - 1-7/8	22-48	8.8	6.54	9.49	2.68	3.74	5.12	6.93	1.34	5.28
ESW-5	1-1/2	542-5420	737 - 7368	1-1/8 - 2-1/4	27-56	15.4	7.8	11.06	3.15	4.84	6.1	7.8	1.54	5.98
ESW-8	1-1/2	792-7932	1078 - 10,784	1-1/4 - 2-3/8	30-64	20.02	8.39	12.13	3.54	5.12	6.73	8.5	1.85	6.73
ESW-10	1-1/2	1140-11403	1550 - 15,503	1-3/8 - 3	36-72	28.82	9.09	13.23	3.94	5.55	7.36	9.06	2.01	6.85
ESW-20	2-1/2	1961-19609	2666 - 26,658	1-5/8 - 3-1/2	42-90	55	11.61	17.44	4.72	7.17	8.98	10.55	2.32	9.84

EHW LOW PROFILE TORQUE WRENCHES

EAGLE PRO®

The EHW series torque wrenches feature a compact, light weight, aluminum alloy construction that allows you to get into those tight areas where other torque wrenches won't fit. Simple, tool free design, makes changing the link on the job site easy. The multi-port swiveling inlet keeps the hydraulic hoses out of your way while you work. Designed using 3D CAD modeling software, the EHW torque wrenches will provide consistent torque within +/- 3%.



Swiveling inlet port rotates 360 degrees

Fast and efficient operation. 35° rotation angle and fast return stroke

Simple, tool free design for fast link changes on the job site



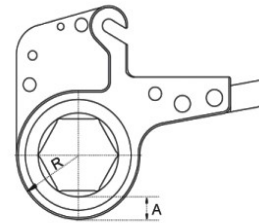
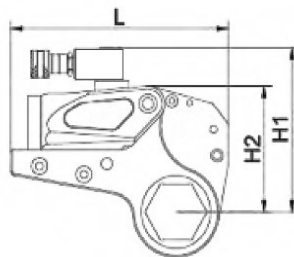
High strength, heat treated, steel reducers - custom sizes available if needed

Link Range

Max. Torque @ 10,000 PSI



Be sure to select the correct torque wrench for your application. Loosening torque requires approximately 250% more than tightening torque



MODEL	TORQUE RANGE @10,000 PSI		RECOMMENDED BOLT/NUT RANGE		POWER UNIT WEIGHT	CASSETTE WEIGHT	L	H1	H2	W1	W2	R	A
	FT LBS	NM	IN	MM	LBS	LBS	IN	IN	IN	IN	IN	IN	IN
EHW-2	168 - 1681	228 - 2278	3/4 - 2-1/4	19 - 60	2.2	3.52	7.73	4.96	4.03	1.26	2.01	1.06-1.81	0.43-0.80
	179 - 1791	243 - 2427	SPECIAL ORDER ONLY										
EHW-4	432 - 4326	586 - 5862	1-1/4 - 3	34 - 80	4.4	9.68	9.65	6.97	5.34	1.65	2.60	1.42-2.40	0.59-0.95
	474 - 4750	643 - 6437	SPECIAL ORDER ONLY										
EHW-8	814 - 8841	1103 - 11,981	1-5/8 - 4	41 - 105	7.26	17.6	11.81	8.15	6.65	2.09	3.27	1.81-2.95	0.67-1.0
	871 - 8713	1181 - 11,807	SPECIAL ORDER ONLY										
EHW-14	1151 - 11,552	1560 - 15,653	1-7/8 - 4-1/2	50 - 117	12.1	25.52	14.21	9.41	8.03	2.52	3.90	2.36-3.43	0.75-1.4

EHW LOW PROFILE TORQUE WRENCHES

EAGLE PRO®

EHW Links and Reducers



CASSETTE MODEL FOR EHW-2	HEX SIZE		Reducing Insert Model	REDUCER HEX SIZE		LOCK RING MODEL
	IN	MM		IN	MM	
EHWL2-34	3/4	19				
EHWL2-1316	13/16	21				
EHWL2-78	7/8	22				
EHWL2-1516	15/16	24				
EHWL2-1	1	25				
EHWL2-1116	1-1/16	-				
EHWL2-118	1-1/8	29				
EHWL2-1316	1-3/16	-				
EHWL2-114	1-1/4	32				
EHWL2-1516	1-5/16	-				
EHWL2-138	1-3/8	35				
EHWL2-1716	1-7/16	-	E23628	1-1/8	29	F236
EHWL2-112	1-1/2	38				
EHWL2-1916	1-9/16	-				
EHWL2-158	1-5/8	41	E24130	1-3/16	-	F241
			E24131	1-1/4	32	
EHWL2-11116	1-11/16	-				
EHWL2-134	1-3/4	45				
EHWL2-11316	1-13/16	-	E24622	1-1/16	-	F246
			E24632	1-1/4	32	
			E24636	1-7/16	-	
EHWL2-178	1-7/8	48				
EHWL2-11516	1-15/16	-				
EHWL2-2	2	51	E25032	1-1/4	32	F250
			E25036	1-7/16	-	
			E25041	1-5/8	41	
EHWL2-2116	2-1/16	-				
EHWL2-218	2-1/8	-				
EHWL2-2316	2-3/16	-	E25536	1-7/16	-	F255
			E25541	1-5/8	41	
			E25546	1-13/16	-	
EHWL2-214	2-1/4	57				
EHWL2-2516	2-5/16	-				
EHWL2-238	2-3/8	-	E26041	1-5/8	41	F260
			E26046	1-13/16	-	
			E26050	2	51	

CASSETTE MODEL FOR EHW-4	HEX SIZE		Reducing Insert Model	REDUCER HEX SIZE		LOCK RING MODEL
	IN	MM		IN	MM	
EHWL4-1	1	25				
EHWL4-1116	1-1/16	-				
EHWL4-118	1-1/8	29				
EHWL4-1316	1-3/16	-				
EHWL4-114	1-1/4	32				
EHWL4-1516	1-5/16	-				
EHWL4-138	1-3/8	35				
EHWL4-1716	1-7/16	-				
EHWL4-112	1-1/2	38				
EHWL4-1916	1-9/16	-				
EHWL4-158	1-5/8	41				
EHWL4-11116	1-11/16	-				
EHWL4-134	1-3/4	45				
EHWL4-11316	1-13/16	-				
EHWL4-178	1-7/8	48				
EHWL4-11516	1-15/16	-				
EHWL4-2	2	51	E45047	1-7/8	48	F450
EHWL4-2116	2-1/16	-				
EHWL4-218	2-1/8	-				
EHWL4-2316	2-3/16	-	E45536	1-7/16	-	F455
			E45541	1-5/8	41	
			E45546	1-13/16	-	
EHWL4-214	2-1/4	57				
EHWL4-2516	2-5/16	-				
EHWL4-238	2-3/8	-	E46035	1-3/8	35	F460
			E46036	1-7/16	-	
			E46046	1-13/16	-	
			E46050	2	51	
EHWL4-2716	2-7/16	-	E46250	2	51	F462
EHWL4-212	2-1/2	64	E46346	1-13/16	-	F463
			E46350	2	51	
			E46334	2-1/16	-	
EHWL4-2916	2-9/16	-	E46546	1-13/16	-	F465
			E46550	2	51	
			E46554	2-1/8	-	
			E46555	2-3/16	-	
EHWL4-258	2-5/8	-				
EHWL4-21116	2-11/16	-				
EHWL4-234	2-3/4	70	E47050	2	51	F470
			E47055	2-3/16	-	
			E47060	2-3/8	-	
EHWL4-21316	2-13/16	-				
EHWL4-278	2-7/8	-				
EHWL4-21516	2-15/16	-	E47550	2	51	F475
			E47555	2-3/16	-	
			E47560	2-3/8	-	
			E47565	2-9/16	-	
EHWL4-3	3	76				
EHWL4-3116	3-1/16	-				
EHWL4-318	3-1/8	-	E48050	2	51	F480
			E48054	2-1/8	-	
			E48060	2-3/8	-	
			E48065	2-9/16	-	
			E48070	2-3/4	70	
			E48075	2-15/16	-	

EHW LOW PROFILE TORQUE WRENCHES



EHW Links and Reducers



CASSETTE MODEL FOR EHW-8	HEX SIZE		Reducing Insert Model	REDUCER HEX SIZE		LOCK RING MODEL
	IN	MM		IN	MM	
EHWL8-178	1-7/8	48				
EHWL8-11516	1-15/16	-				
EHWL8-2	2	51				
EHWL8-2116	2-1/16	-				
EHWL8-218	2-1/8	-				
EHWL8-2316	2-3/16	-				
EHWL8-214	2-1/4	57				
EHWL8-2516	2-5/16	-				
EHWL8-238	2-3/8	-				
EHWL8-2716	2-7/16	-				
EHWL8-212	2-1/2	64				
EHWL8-2916	2-9/16	-	E86550	2	51	F865
EHWL8-258	2-5/8	-				
EHWL8-21116	2-11/16	-				
EHWL8-234	2-3/4	70	E87050	2	51	F870
			E87055	2-3/16	-	
			E87060	2-3/8	-	
EHWL8-21316	2-13/16	-				
EHWL8-278	2-7/8	-				
EHWL8-21516	2-15/16	-	E87555	2-3/16	-	F875
			E87560	2-3/8	-	
			E87565	2-9/16	-	
EHWL8-3	3	76				
EHWL8-3116	3-1/16	-				
EHWL8-318	3-1/8	-	E88050	2	51	F880
			E88055	2-3/16	-	
			E88060	2-3/8	-	
			E88065	2-9/16	-	
			E88070	2-3/4	70	
EHWL8-3316	3-3/16	-				
EHWL8-314	3-1/4	83				
EHWL8-3516	3-5/16	-				
EHWL8-338	3-3/8	-				
EHWL8-3716	3-7/16	-				
EHWL8-312	3-1/2	89	E89070	2-3/4	70	F890
			E89075	2-15/16	-	
			E89076	3	76	
			E89080	3-1/8	-	
EHWL8-3916	3-9/16	-				
EHWL8-358	3-5/8	-				
EHWL8-31116	3-11/16	-	E89370	2-3/4	70	F893
			E89570	2-3/4	70	
EHWL8-334	3-3/4	95	E89575	2-15/16	-	F895
			E89580	3-1/8	-	
EHWL8-31316	3-13/16	-				
EHWL8-378	3-7/8	-	E89875	2-15/16	-	E898
			E89880	3-1/8	-	
EHWL8-31516	3-15/16	-				
EHWL8-4	4	102				

CASSETTE MODEL FOR EHW-14	HEX SIZE		Reducing Insert Model	REDUCER HEX SIZE		LOCK RING MODEL
	IN	MM		IN	MM	
EHWL14-238	2-3/8	-				
EHWL14-2716	2-7/16	-				
EHWL14-212	2-1/2	64				
EHWL14-2916	2-9/16	-				
EHWL14-258	2-5/8	-				
EHWL14-21116	2-11/16	-				
EHWL14-234	2-3/4	70				
EHWL14-21316	2-13/16	-				
EHWL14-278	2-7/8	-				
EHWL14-21516	2-15/16	-				
EHWL14-3	3	76	E147654	1-1/8	29	F1476
EHWL14-3116	3-1/16	-				
EHWL14-318	3-1/8	-	E148060	2-3/8	-	F1480
			E148065	2-9/16	-	
			E148070	2-3/4	70	
EHWL14-3316	3-3/16	-				
EHWL14-314	3-1/4	83				
EHWL14-3516	3-5/16	-				
EHWL14-338	3-3/8	-				
EHWL14-3716	3-7/16	-				
EHWL14-312	3-1/2	89	E149075	2-5/16	-	F1490
			E149070	2-3/4	70	
			E149080	3-1/8	-	
EHWL14-3916	3-9/16	-				
EHWL14-358	3-5/8	-				
EHWL14-31116	3-11/16	-	E149575	2-5/16	-	F1495
			E149570	2-3/4	70	
			E149580	3-1/8	-	
EHWL14-334	3-3/4	95				
EHWL14-31316	3-13/16	-				
EHWL14-378	3-7/8	-	E1410075	2-15/16	-	F14100
			E1410080	3-1/8	-	
			E1410090	3-1/2	89	
EHWL14-31516	3-15/16	-				
EHWL14-4	4	102				
EHWL14-4116	4-1/16	-				
EHWL14-418	4-1/8	-				
EHWL14-4316	4-3/16	-				
EHWL14-414	4-1/4	-	E1411090	3-1/2	89	F14110
			E1411095	3-11/16	-	
			E14110100	3-7/8	-	
EHWL14-4516	4-5/16	-				
EHWL14-438	4-3/8	-				
EHWL14-4716	4-7/16	-				
EHWL14-412	4-1/2	114				
EHWL14-4916	4-9/16	-				
EHWL14-458	4-5/8	-	E1411795	3-11/16	-	F14117
			E14117100	3-7/8	-	
			E14117110	4-1/4	-	

TWP TORQUE WRENCH PUMP

EAGLE PRO®

The TWP series torque wrench pump was designed with useful features usually reserved for more expensive pumps. The high flow rate, heavy-duty motor, and ease of use will ensure that the job gets done right, the first time.



Model	NUMBER OF WRENCHES	FLOW RATE (IN3/MIN)		OIL CAPACITY	L x W x H (IN)	MOTOR	WEIGHT WITHOUT OIL (LBS)
		1ST STAGE	2ND STAGE	GAL			
TWP-2AF	1 or 2	550	48	1.5	13.2 x 7.8 x 18	115V,60HZ,1.3hp	60.5

TORQUE WRENCH ACCESSORIES



Hydraulic Hose for torque wrench

MODEL	LENGTH(FT.)
EH-15	15
EH-20	20
EH-40	40



Quick Coupler

MODEL	SCREW MODEL	TYPE
EAB-204TA	1/4-18 NPT	FEMALE
EAB-204TB	1/4-18 NPT	MALE
EAB-204T	1/4-18 NPT	MALE&FEMALE

* Hoses come with both male and female couplers