

HAND PUMPS

P Series — Compact Steel



P82A, P41 Shown

Reservoir Capacity▶ 20 - 134 cu.in.
 Weight▶ 10 - 24 lbs.
 Maximum Pressure▶ 10,000 psi

- ▶ Large 3/8" pressure port for maximum flow.
- ▶ Low handle effort for easy operation.
- ▶ Single and two speed models.
- ▶ Two-speed operation for fast and easy operation.
- ▶ Carrying handle for easy transport (P41).
- ▶ Chrome plated plunger and wiper system for durable, long lasting performance.

Hand Pumps



GAUGES - page 77

Improve your system visibility and safety by adding an inline hydraulic gauge to your circuit.



COUPLERS - pages 74 - 75

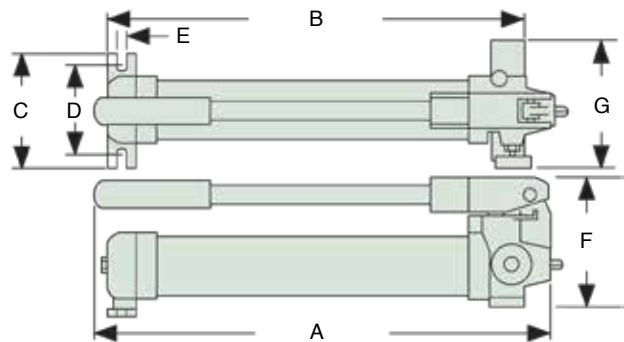
High flow quick disconnect couplers provide a quick change to a variety of pumps.



HOSES - pages 78 - 79

Heavy duty and thermo plastic hydraulic hoses to meet your requirements and safety factor.

With its compact footprint, the Simplex P22 hand pump is perfect for fixed mounting. ▼



Model	Speed	Pressure Rating (PSI)	Oil Volume Per Stroke (cu.in.)		Usable Oil Capacity (cu.in.)	A	B	C	D	E	F	G	Wgt. (lbs)
			1st Stage	2nd Stage		(in)	(in)	(in)	(in)	(in)	(in)	(in)	
P20	2	1st Stage 200 2nd Stage 2,850	.79	.16	20	14.23	11.08	2.62	1.5	.59	5.59	5.39	10
P22	2	1st Stage 200 2nd Stage 10,000	.23	.06	20	14.23	11.08	2.62	1.5	.59	5.06	4.92	10
P41	1	10,000	----	.16	40	23	21.75	5	---	---	5.75	5.75	18
P42	2	1st Stage 200 2nd Stage 10,000	.79	.16	45	25.64	20.86	3.54	---	---	5.75	5.39	19
P82A	2	1st Stage 350 2nd Stage 10,000	.99	.15	134	21.97	19.50	5.75	4.76	.31	6.88	7.00	24



Reservoir Capacity▶ 30 - 70 cu.in.
 Weight▶ 8 - 11 lbs.
 Maximum Pressure▶ 10,000 psi

- ▶ All aluminum construction makes these pumps extremely light weight and easy to handle.
- ▶ 25% faster per stroke than comparative pumps means less work for operator.

P32 & P72 Shown



RELEASE KNOB

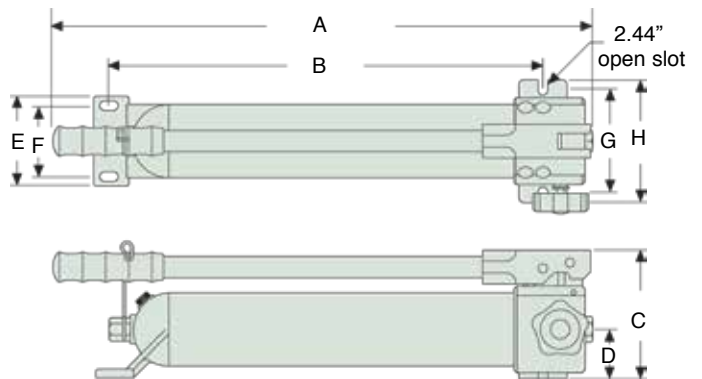
Precise load lowering with large knob and fine pitched threads.



POWER PUMPS - pages 43 - 65

Simplex offers a wide variety of lightweight power pumps to fit any application.

This P32 provided the power and control to lift this 10 ton CNC machine during routine maintenance. ▼



Hand Pumps

Model	Speed	Pressure Rating (PSI)	Oil Volume Per Stroke	Usable Oil Capacity	A	B	C	D	E	F	G	H	Wgt. (lbs)
					(in)	(in)	(in)	(in)	(in)	(in)	(in)	(in)	

*Viton Seals

HAND PUMPS

P Series Heavy Duty Steel



Reservoir Capacity▶ 175 - 460 cu.in.
 Weight▶ 26 - 61 lbs.
 Maximum Pressure▶ 10,000 psi

- ▶ Heavy duty, metal construction for durability.
- ▶ High displacements of oil per stroke.
- ▶ Adjustable handle effort / dual pivot points.
- ▶ Low, back saving handle effort.
- ▶ External adjustable relief valves.

P140 & P461D Shown

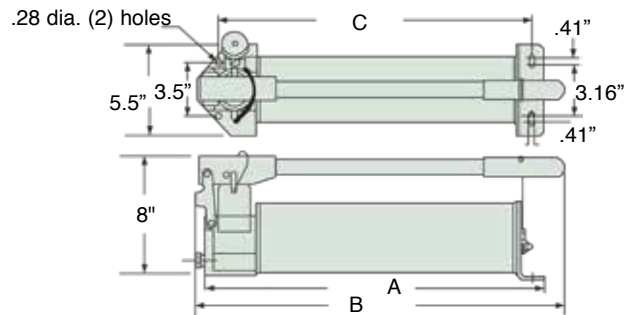
Hand Pumps



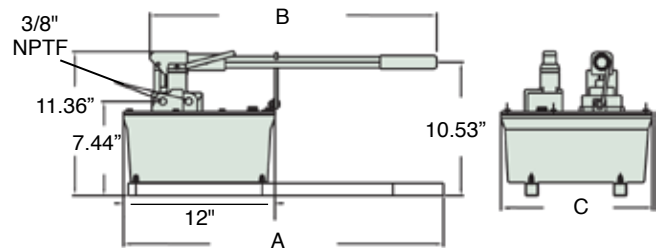
THINK SAFETY

Please refer to pages 4&5 for a complete list of safety tips and recommendations.

P140 & P300 Series



P230 & P461 Series



US recovery teams needed to dismantle and remove a downed Navy aircraft, they used Simplex P140D hand pumps. ▼



Model	Tool Type	Pressure Rating (PSI)	Oil Volume Per Stroke (cu.in.)		Usable Oil Capacity (cu.in.)	A	B	C	Wgt. (lbs)
			1st Stage	2nd Stage		(in)	(in)	(in)	
P140	Single Acting	1st Stage 400 2nd Stage 10,000	2.8	.24	175	24.81	27.25	23.31	26
P230			7.7	.3	230	25.38	22.75	9	49
P300			2.8	.24	300	28.5	31	26.5	37
P461			7.7	.3	460	25.38	22.75	12	61
P140D	Double Acting	1st Stage 400 2nd Stage 10,000	2.8	.24	175	29.5	31.5	23.31	30
P230D			7.7	.3	230	25.38	22.75	9	49
P300D			2.8	.24	300	32.68	34.68	26.5	41
P461D			7.7	.3	460	25.38	22.75	12	61

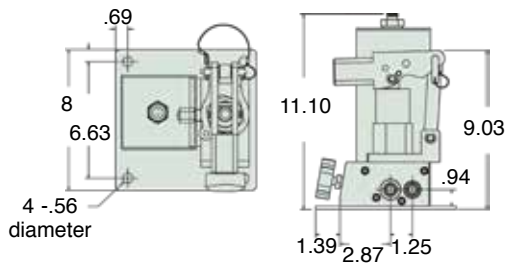


P10004A & P1606A Shown

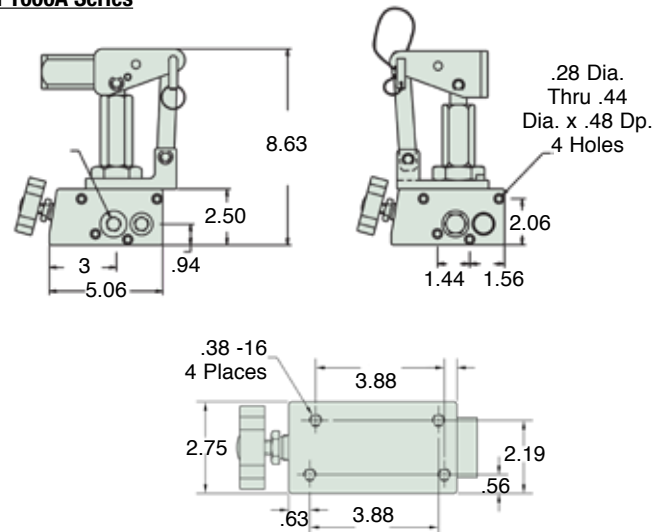
- Volume Per Stroke▶ .30 - 4.56 cu.in.
- Weight▶ 9 - 20 lbs.
- Pressure Range▶ 750 - 12,000 psi

- ▶ Ideal for fixed applications when pumps need to be bolted in place.
- ▶ P1000A Series offers a swivel pump head for flexible fixturing.
- ▶ Wide range of operating pressures to select from.

P160A Series



P1000A Series



This P10006A is used as an auxiliary pump to position scaffolding for fabrication of the docking system for a new airline hangar. ▼



Model	Usable Reservoir Capacity (cu.in.)	Operating Pressure (PSI)	Volume per Stroke (cu.in.)	Maximum Handle Effort (lbs)	Weight (lbs)
P1603A	148	12,000	.30	108	20
P1604A	148	6,500	.53	104	20
P1606A	148	3,000	1.33	108	20
P10003A	---	12,000	.30	108	9
P10004A	---	6,500	.53	104	9
P10006A	---	3,000	1.33	108	9
P10008A	---	1,000	2.11	106	11
P100012A	---	750	4.56	79	11

HAND PUMPS

P Series — Ultra High Pressure Aluminum



Reservoir Capacity▶ 60 cu.in.
 Weight▶ 10 lbs.
 Maximum Pressure▶ 40,000 psi

- ▶ 40,000 psi maximum pressure.
- ▶ 60 cu. in. reservoir provides more usable oil capacity.
- ▶ Large pressure release knob, fine threaded for added control.
- ▶ Lower handle effort provides less operator fatigue.
- ▶ Slotted front mounting hole offers flexibility.

P60 Shown

Hand Pumps



THINK SAFETY

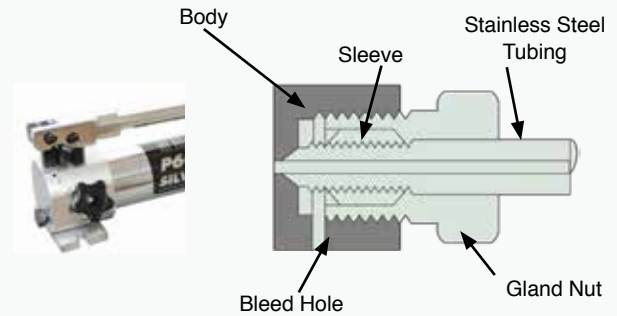
Please refer to pages 4&5 for a complete list of safety tips and recommendations.



SPRING LATCH

An easy to use spring latch handle provides quick carrying mobility.

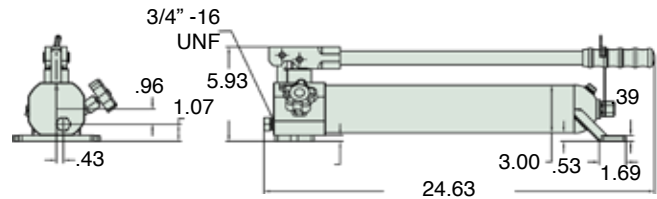
Pressure Port Details



▲ Cone Seal

High pressure fitting seal on a cone surface does not require pipe sealer. The gland nut holds the sleeve and tube to provide 40,000 psi seal.

Ideal for lab testing, the P60 offers safe and easy operation for applications requiring up to 40,000 psi. ▼



Model	Usable Reservoir Capacity (cu.in.)	Pressure Rating (PSI)		Oil Volume Per Stroke (cu.in.)		Handle Effort (lbs)	Weight (lbs)
		1st Stage	2nd Stage	1st Stage	2nd Stage		
P60	60	200	40,000	.86	.04	90	10

P60 ULTRA HIGH PRESSURE ACCESSORIES

Model	Item No.	Connection
 Gland Nut Plug	UH1	.38" Cone
 Elbow	UH2	.38" Cone
 Tee	UH3	.38" Cone Side
 Gauge Adapter	UH4	.38" Cone Side / .25" Cone Gauge Port
 Coupling	UH5	.38" Cone
 Gland Nut with Sleeve	UH6	.38" Cone
 Gauge Connector	UH7	.25" Cone
 Gauge	UH8	0 - 40,000 psi (2,760 Bar) Ultra High Pressure Gauge
 Tubing	UH9 UH10 UH11	4" Tube, O.D. .38" * 8" Tube, O.D. .38" * 12" Tube, O.D. .38" *

Hand Pumps