



PORTABASE[®]
Counterbalance

PORTABASE[®] Counterbalance

Levelling feet for safe, secure operation on uneven ground

Detachable folding basket with integrated swivel-locking castors

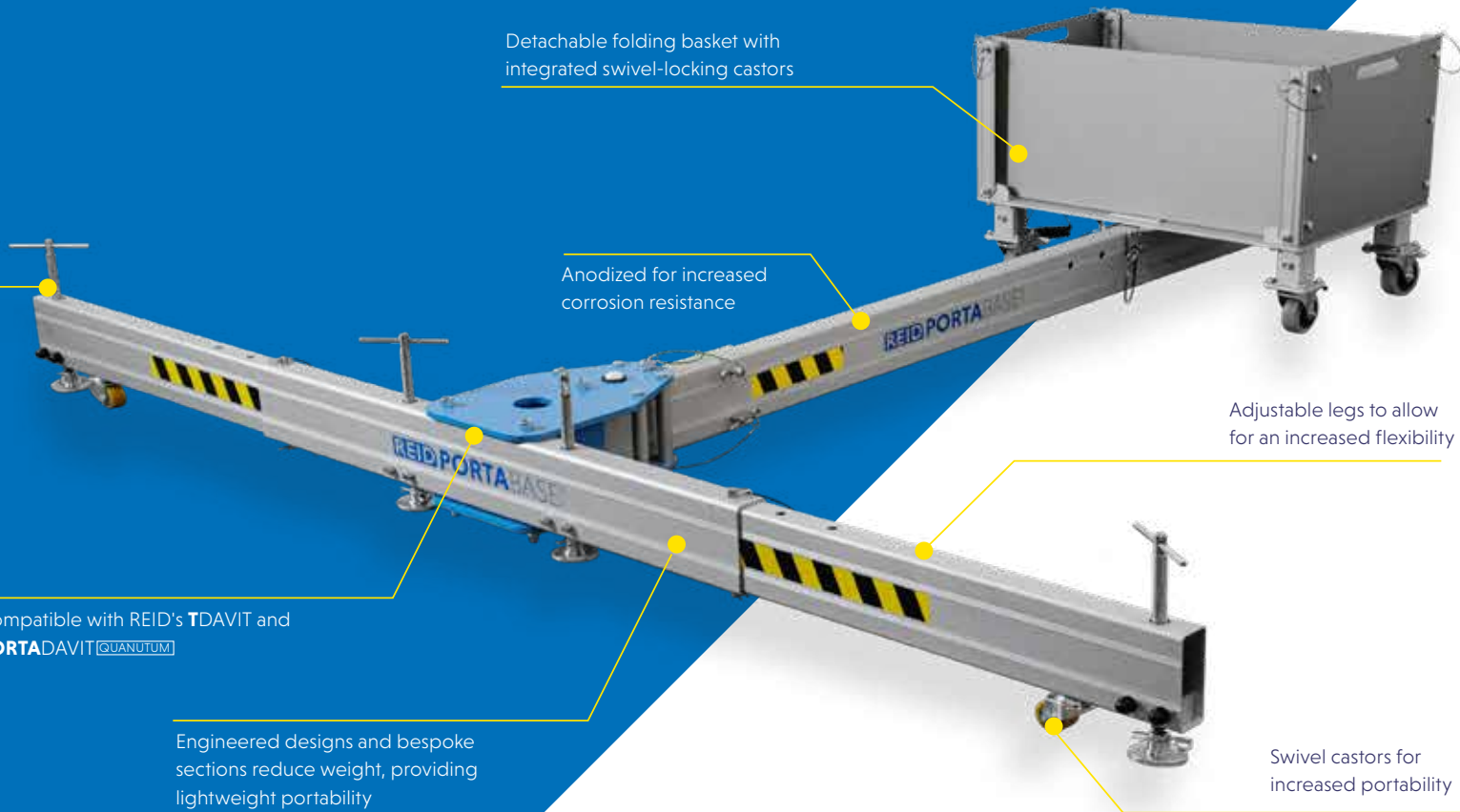
Anodized for increased corrosion resistance

Adjustable legs to allow for an increased flexibility

Compatible with REID's TDAVIT and PORTADAVIT QUANTUM

Engineered designs and bespoke sections reduce weight, providing lightweight portability

Swivel castors for increased portability



The **PORTABASE** Counterbalance is a five piece, portable system which can be easily broken down for transportation.

Expertly engineered, the system is compatible with the **TDAVIT** and **PORTADAVIT** **QUANTUM** providing maximum flexibility where the installation or use of a fixed socket is not possible. The product is quick and easy to set up with no tools required.

The **PORTABASE** Counterbalance enables our Davit products to be used for lifting goods up to 1320lb, as well as providing access and egress for confined space and work at height tasks, including as an anchor point for fall arrest scenarios.

Key features

- OSHA compliant
- ANSI Z359 18.17 compliant for fall protection applications*
- Can support goods and personnel lifting;
 - Goods capacity of up to 1320lb
 - Personnel capacity of up to 660lb
- Breaks down in to 5 components for ease of transportation and stowage
- Designed for ease of assembly using pins, with no bolted sections or the need for tools
- Detachable legs and foldable basket for ease of transportation
- Levelling feet designed to support the system to function correctly on uneven ground
- Integrated swivel castors, as standard
- Compatible with the use of **TDAVIT** and **PORTADAVIT** **QUANTUM**
- Clean, anodized finish for increased corrosion resistance
- Uses hand weights for the basket, reducing manual handling risks

Configurations

Height adjustable feet can be fitted to the **PORTABASE** Counterbalance basket, providing an adjustment of 9". For more information contact REID.



**1320LB
CAPACITY**



**1-2 PERSON
ASSEMBLY**



**5 MANAGEABLE
COMPONENTS**



**ANSI
COMPLIANT**

Features & Performance

COUNTERBALANCE

Accreditations, Certifications & Standards

OSHA Compliant	✓
ANSI Z359.18-17*	✓

Capacity

Maximum Goods Lifting [lb]	1320lb
Maximum Personnel Lifting [lb]	660lb
Fall Arrest [Persons]	1
Maximum Reach [Inch]	47"

Dimensions

Minimum Base Width [Inch]	91¼"
Maximum Base Width [Inch]	107"
Minimum Base Height [Inch]	9½"
Maximum Base Height [Inch]	13"
Overall Length [Inch]	95"

Compatible Products

Porta Davit Quantum [Restricted]	✓
Porta Davit Quantum [1]	✓
T Davit [Winched]	✓
T Davit [Double Winched]	✓

Standard Features

Levelling Feet	✓
Individual Component Weight < 50lb	✓
No Tools Required	✓
Swivel Castors	✓

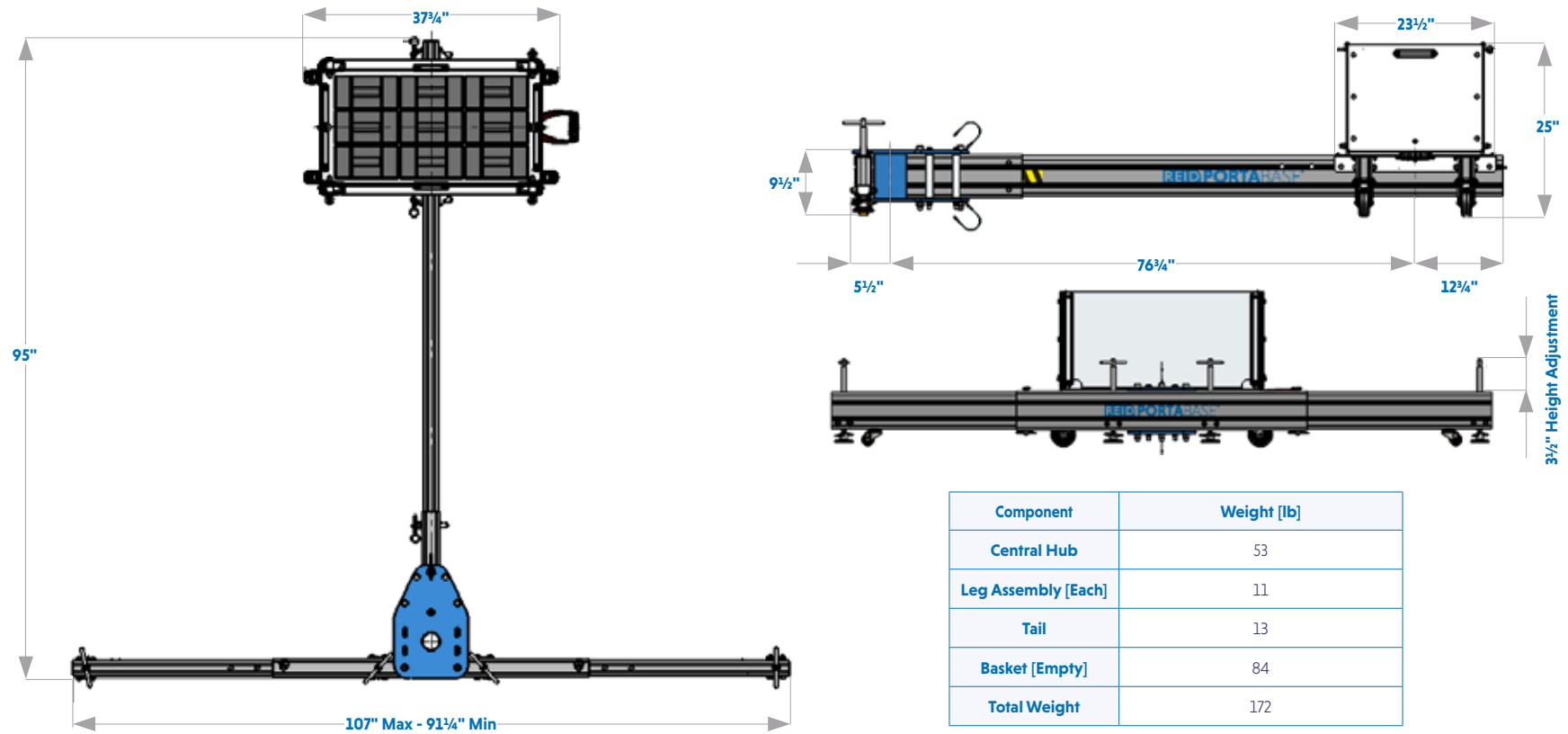
Finishes

Anodized / Powder Coated	✓
316SS Fixings	Optional
Marine Spec	Optional

*Due to the range and complexities of our Davit systems, please refer to the 'Fall Protection Application' section of our Assembly & Operation Guide.

Dimensions in the table are approximate values. For more accurate details please refer to the Dimension Table. All line items marked with a '✓' come as standard. All line items marked with a 'X' are not available. All line items marked with 'optional' are available as an option and may incur additional costs.

PORTABASE® Counterbalance



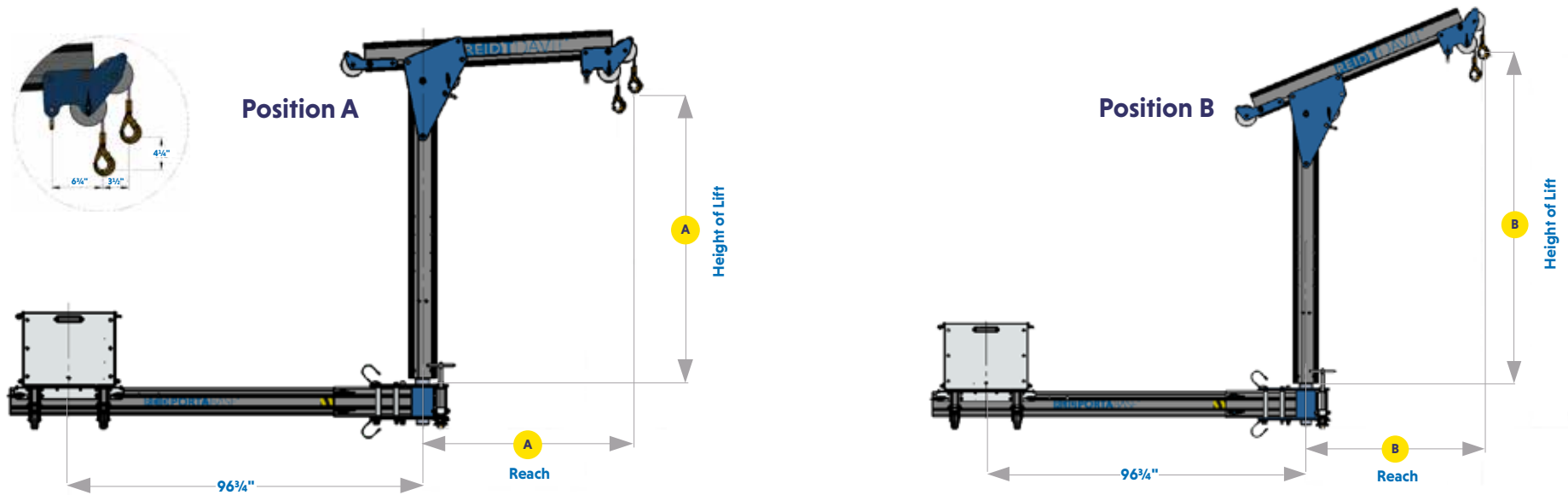
Component	Weight [lb]
Central Hub	53
Leg Assembly [Each]	11
Tail	13
Basket [Empty]	84
Total Weight	172

Product Code	Description
US-PBCB00001	PORTABASE Counterbalance Standard - Max 47" Reach
US-RAHW00001	Hand Weight [1 x 44lb]
US-RAHW00004	Hand Weight Set [27 x 44lb]
US-RAPBCB0001	Porta Base Counterbalance Basket Height Adjustment Kit



A height adjustment kit can be fitted to the basket, providing an adjustment of 9".

PORTABASE® Counterbalance | TDAVIT Double Winched



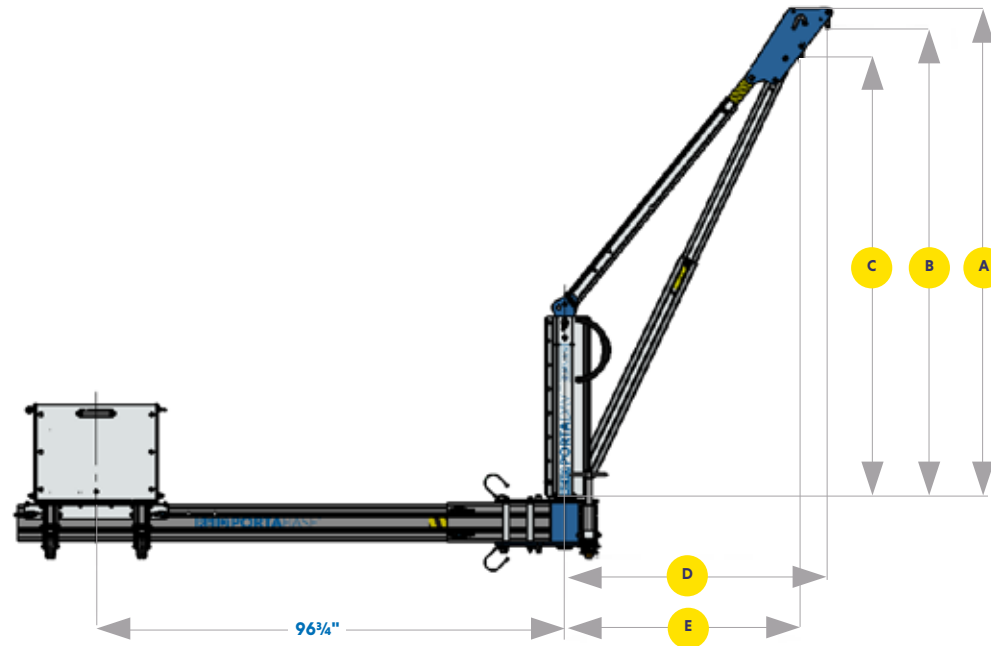
PRODUCT CODE	HEIGHT OF LIFT (HOL)		REACH		CAPACITY			DAVIT WEIGHT (LB)
	Position A	Position B	Position A	Position B	Goods [lb]	Personnel [lb]	Fall Arrest	
US-TDDWA3A0	50 3/4"	60 3/4"	31 1/2"	29 1/4"	1320	660	1 Person	75
US-TDDWA3A1	51 1/4"	63 1/2"	39 1/4"	36 1/2"	1100	550	1 Person	77
US-TDDWA3A2	51 1/2"	66 1/2"	47 1/4"	43 3/4"	880	440	1 Person	79
US-TDDWA4A0	63 3/4"	73"	31 1/2"	29 1/4"	1320	660	1 Person	79
US-TDDWA4A1	63 3/2"	76"	39 1/4"	36 1/2"	1100	550	1 Person	82
US-TDDWA4A2	64"	79"	47 1/4"	43 3/4"	880	440	1 Person	84
US-TDDWA5A0	75 1/2"	85 1/4"	31 1/2"	29 1/4"	1320	660	1 Person	86
US-TDDWA5A1	75 3/4"	88 1/4"	39 1/4"	36 1/2"	1100	550	1 Person	88
US-TDDWA5A2	76 1/4"	91 1/4"	47 1/4"	43 3/4"	880	440	1 Person	90

*Capacity shown when being used with PORTABASE Counterbalance - See Assembly & Operation Guide for more information

ANSI Z359.18 2017 and OSHA compliant. Contact us for details.

PORTABASE® Counterbalance | PORTADAVIT QUANTUM®

- A** Overall height
- B** Height to outer shackle
- C** Height to inner shackle
- D** Reach to outer shackle
- E** Reach to inner shackle



DIMENSIONS

PRODUCT CODE	SYSTEM WEIGHT [lb]	GOODS CAPACITY [lb]**	PERSONNEL CAPACITY [lb]**	FALL ARREST	REACH ADJUSTMENT POINTS	A	B	C	D*	E*
US-PDQRW	50	1320	660	1 Person	1	84½"	81¾"	76"	31½"	27½"
US-PDQ1W	50	880	440	1 Person	1	79"	76¾"	70¾"	47¾"	43¾"
		990	495		2	81¾"	78¾"	72¾"	43¾"	39¾"
US-PDQ1S	41	1100	550		3	77"	80¾"	74¾"	39¾"	35½"

*Radii achieved at =75% Capacity **Capacity shown when being used with PORTABASE Counterbalance - See Assembly & Operation Guide for more information

OSHA compliant. Contact us for details.

PORTABASE® Counterbalance | Compatible Systems



TDAVIT®




PORTADAVIT QUANTUM®

Contact Us

REID Lifting Inc

7900 International Drive
Suite 300
Bloomington
MN 55425

-  +1-(888)-721-6411
-  info@reidlifting.com
-  us.reidlifting.com

PBC/DS/US/14/09/2021


All information herein is copyright protected by REID Lifting Ltd. All company and product names are Trade Mark and Trade Name protected and all REID Product IPR is protected under Patents, Patents Pending and/or Design Rights.



Printed using environment friendly processes and materials.

REID Lifting Inc

7900 International Drive,
Suite 300,
Bloomington,
MN 55425

-  +1-(888)-721-6411
-  info@reidlifting.com
-  us.reidlifting.com