



 **PORTA DAVIT** QUANTUM[®]

This product is patented

US.REIDLIFTING.COM

Our portable **PORTADAVIT** QUANTUM is a rapidly deployable, lightweight solution to heavy lifting and lowering of goods. Weighing just 35lb when fully assembled, it can be manually operated by just one person while maintaining a lifting capacity up to 1320lb.

> Key features

- > OSHA compliant
- > Includes an anchor point for operator safety
- > Goods lifting capacity of up to 1320lb
- > Ease of assembly with the use of just one pin, no tools required
- > Designed with a universal kingpin suitable for all REID sockets
- > Ease of rotation under a full load
- > Easy reach adjustment points
- > Bagged for ease of transportation
- > Clean, anodized finish for increased corrosion resistance
- > Engineered designs and tailor-made sections reduce weight, providing lightweight portability

> Configurations

The **PORTADAVIT** QUANTUM is available in a strop and winched version for use with a range of lifting equipment.



**1320LB
CAPACITY**



**1 PERSON
ASSEMBLY**



**FROM
35LB**



**ATEX
CERTIFIED**

- > Due to the lightweight portability of the **PORTADAVIT** QUANTUM, why not consider fitting one to your truck with our range of socket options!

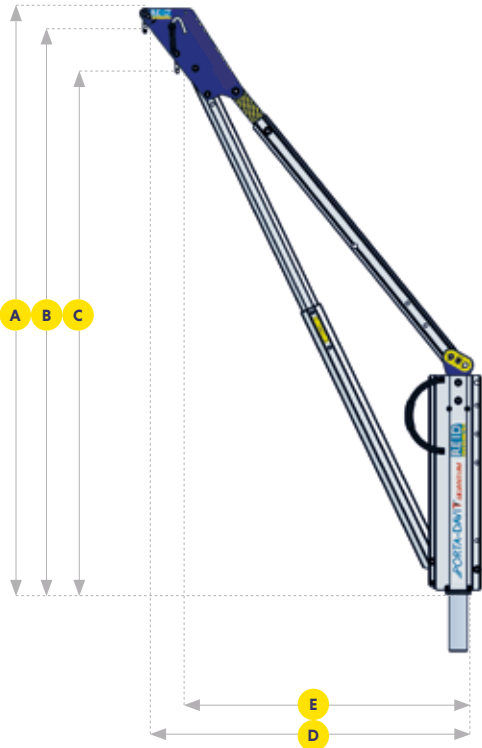
> Features & Performance

	PDQ 1	PDQ 2
Accreditations, Certifications & Standards		
OSHA Compliant	✓	✓
Capacity		
Maximum Goods Lifting [lb]	1320	1100
Maximum Personnel Lifting [lb]	650	550
Dimensions		
Maximum Reach	47"	59"
Maximum Height	83"	77"
Socket Diameter		
2 1/2"	✓	✓
Socket Options		
Top Mount	✓	✓
Flush Mount	✓	✓
Side Mount	✓	✓
Bridge Mount	✓	✓
Pedestal	✓	✓
Extension Post	✓	✓
Standard Features		
One Piece Unit	✓	✓
Multiple Accessory Attachment	✓	✓
Shackle Lifting Points	✓	✓
Weight < 55lb	✓	✓
Optional Extras		
Winch Capable	✓	✓
Rotational Handle	✓	✓
Finishes		
Anodized	✓	✓
316SS Fixings	Optional	Optional
Marine Spec	Optional	Optional

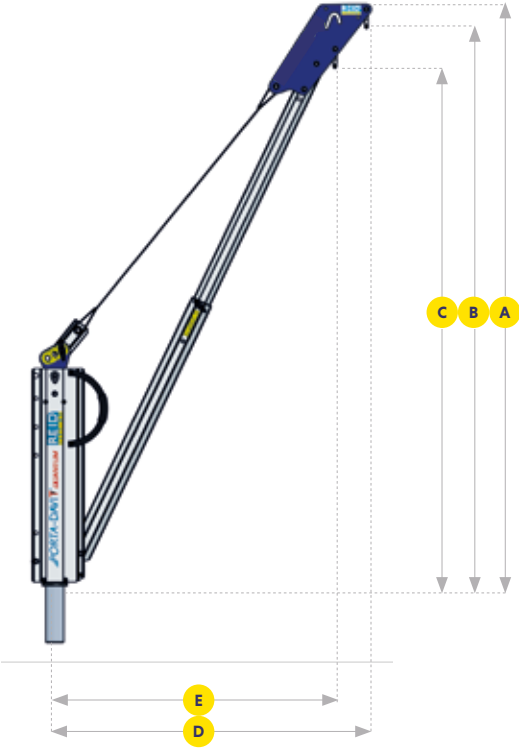
Dimensions in the table are approximate values. For more accurate details please refer to the Dimension Table.
 All line items marked with a '✓' come as standard. All line items marked with a 'X' are not available.
 All line items marked with 'optional' are available as an option and may incur additional costs.

- A Overall height
- B Height to outer shackle
- C Height to inner shackle
- D Reach to outer shackle
- E Reach to inner shackle

WINCHED [W]



STROP [S]



Product Code	System Weight [lb]	Capacity [lb]	Reach Adjustment Points	Dimensions				
				A	B	C	D*	E*
US-PDQ1S	41	1320lb	1	79"	76¼"	70¾"	47¼"	43¼"
US-PDQ1W	50		2	81¼"	78¼"	72¾"	43¾"	39¾"
			3	83"	80¼"	74½"	39¾"	35½"
US-PDQ2S	42	1100lb	1	72¼"	69½"	64¾"	59"	55"
US-PDQ2W	51		2	74¾"	72"	67"	55"	51¼"
			3	77"	74¼"	69"	51¼"	47¼"


*Radii achieved at = 75% Capacity

All information herein is copyright protected by REID Lifting Ltd. All company and product names are Trade Mark and Trade Name protected and all REID Product IPR is protected under Patents, Patents Pending and/or Design Rights.

 Printed using environment friendly processes and materials.

REID Lifting Inc

7900 International Drive,
Suite 300,
Bloomington,
MN 55425

 +1-(888)-721-6411
 info@reidlifting.com
 us.reidlifting.com