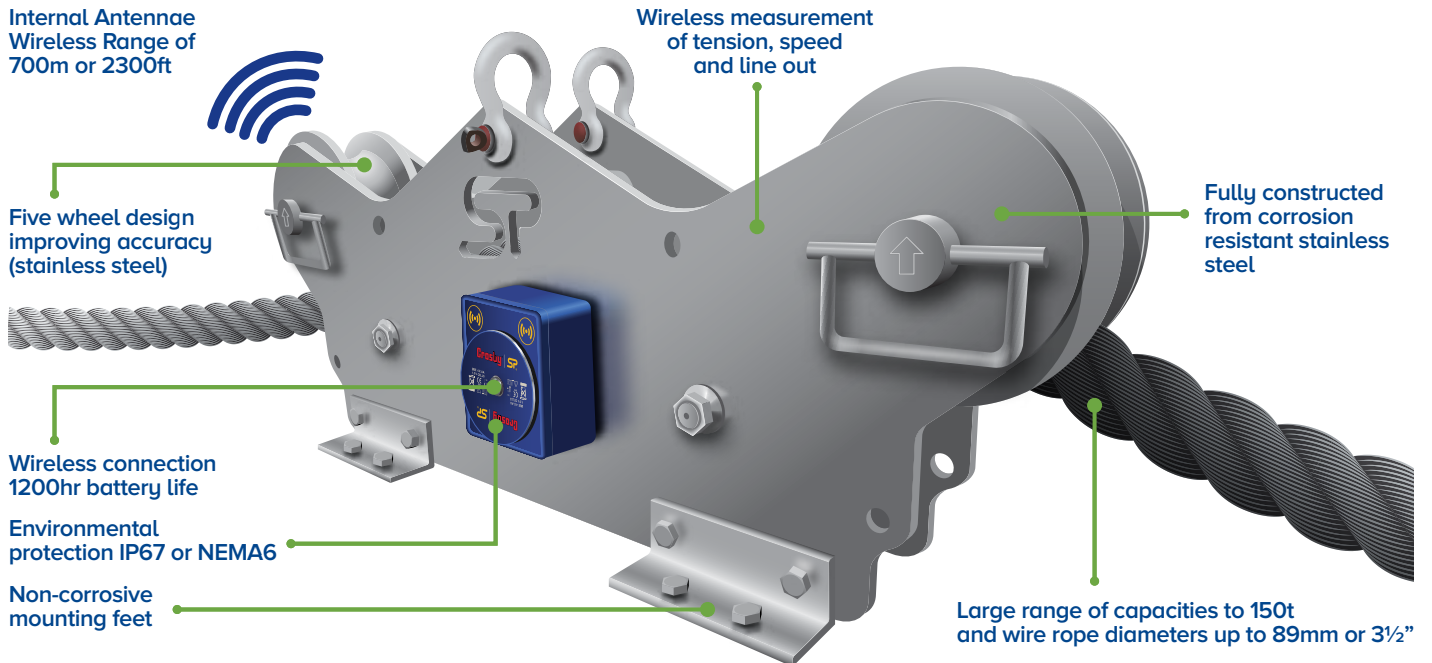


# Running Line Dynamometer



The TIMH range is a Wireless Running Line Tensiometer or RLTM built with dockside, marine, offshore, towage and salvage applications in mind. It is particularly useful when there is no anchor or dead end on the line to rig an SP Radiolink or Loadlink digital dynamometer. It measures tension force at speeds up to 20m/min or 65ft/min.

#### Two versions of the TIMH are available:

- Long range 2.4GHz version providing industry leading wireless range of 700m or 2300ft to SP's SW-HHP handheld or software options.
- Bluetooth output and can be connected to any smart phone running SP's free HHP app on iOS or Android at ranges up to 100m or 328ft.

The TIMH is constructed from marine grade stainless steel and is suitable for many wire rope configurations up to 150t and will, as an option, calculate lineout and speed. The TIMH has several mounting points featured in its unique design but if other mounting options are required, Straightpoint can provide a custom engineered solution specific to your application.

Available as a wireless or cabled system, utilising Straightpoint's HHP range of handheld displays or SW-MWLC software, this impressive Running Line Dynamometer or RLTM is available to ship from stock, to anywhere in the world, within days.

## Features and benefits:

- Measure tension, line speed and distance
- Five-wheel design improving accuracy
- Cabled or wireless options
- Fully constructed from corrosion-resistant stainless steel
- IP67 or NEMA6 Loadpin
- Industry leading battery life of 1200hrs (wireless)
- Maintenance free heavy duty bushes
- Large range of capacities to 150t and wire rope diameters up to 89mm or 3½"
- Options for lineout and speed available
- Software available to data log and monitor or analogue outputs
- Design validated by F.E.A.
  
- Bluetooth option is available and is supplied with a free HHP App for iOS and Android

Also available with hazardous area approval. Zones 0, 1 & 2



## ATEX / IECEX Ex ia II C T4 Ga

Certification numbers:

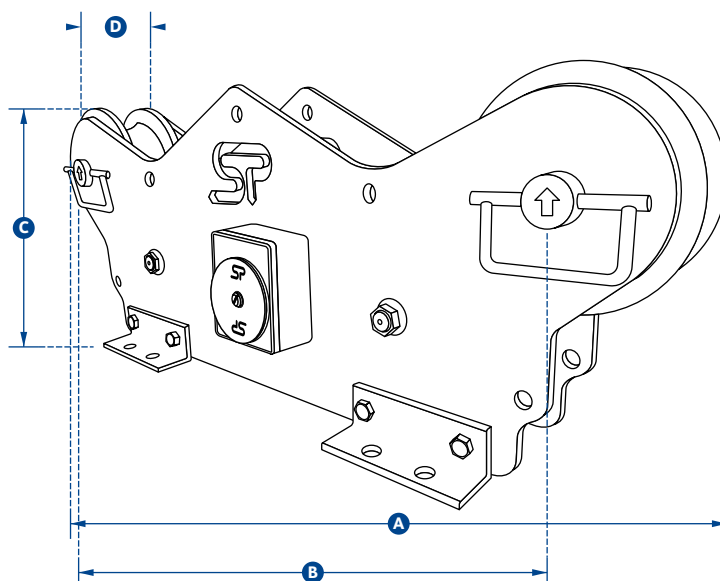
### TIMH ATEX

IECEX SIR 16.0041X / Sira 16ATEX2108X

### SW-HHP ATEX

IECEX SIR 15.0072X / Sira 15ATEX2196X

**Add 'ATEX' to the part number when ordering ATEX/IECEX products. For example: TIMH10T-ATEX**



Part Numbers	MTIMH10TRD		TIMH10TRD		TIMH25TRD		TIMH56TRD		TIMH80TRD		TIMH150TRD	
SP	2789054		2789136		2789139		2789144		2789146		2789270	
Capacity	10te 22000lb		10te 22000lb		25te 55000lb		56te 123200lb		80te 176000lb		150te 330000lb	
Resolution	0.01te 20lb		0.01te 20lb		0.02te 50lb		0.05te 100lb		0.1te 200lb		0.2te 500lb	
Wire Rope Ø	4-19mm 5/32" - 3/4"		13-19mm 1/2" - 3/4"		16-26mm 5/8" - 1"		28-38mm 1 1/8" - 1 1/2"		40-52mm 1 5/8" - 2"		52-89mm 2" - 3 1/2"	
Weight	9kg 20lb		90kg 198lb		86kg 190lb		81kg 179lb		76kg 168lb		230kg 506lb	
Battery Type	4 x AA Alkaline											
Battery Life	Wireless version 1200hrs continuous											
Operating Temp	-10°C to +50°C 14°F to 122°F											
Accuracy	±2% of full scale											
Frequency	2.4 GHz											
System Range	700 metres 2300 feet											
Data Rate	3 updates per second											
Protection	IP67 NEMA6											
Maximum Speed	50m per minute 164ft per minute		20m per minute 65ft per minute									
Line out and speed	via SW-MWLC software											
Dimension A	422mm 16.62"		880mm 34.65"								1250mm 49.21"	
Dimension B	328mm 12.9"		700mm 27.55"								1050mm 41.33"	
Dimension C	152mm 5.98"		330mm 12.99"								416mm 16.37"	
Dimension D	36mm 1.4"		110mm 4.33"								153mm 6.02"	