



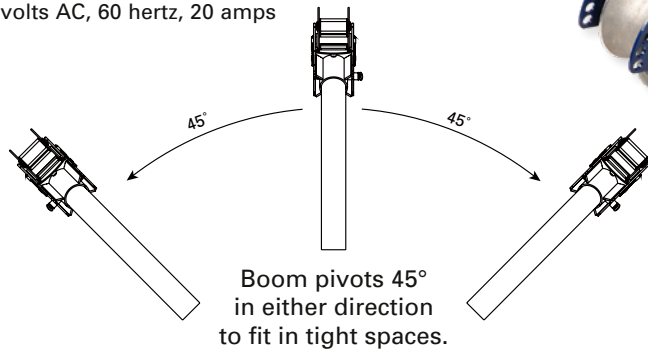
Two Speed Cable Puller with Carriage — featuring **ROTABOOM™** 10,000 lb. capacity

- 10,000lb. pulling capacity
- Built-in force gauge with digital read out
- One person set up
- Four wheel carriage for stability and ease of transport
- Patented 45° horizontal pivot (Rotaboom™) allows for use of puller in tight spaces
- Two speeds allow for fast pulling on low force pulls and increased torque for heavier pulls
- Boom height adjustment handle allows for easy vertical positioning of boom sections with little effort
- Snap-in couplings for quick and easy set-up
- Fits through 32" doorway
- Flat-free urethane wheels
- Compare to Greenlee® Model 6906, 6900 and 6901*

maximum pulling force — 10,000 lbs.

	Low Speed	High Speed
speeds (approx.)	no load — 12 FPM	no load — 33 FPM
	2,000 lbs. — 11 FPM	1,000 lbs. — 26 FPM
	4,000 lbs. — 10 FPM	1,500 lbs. — 20 FPM
	6,500 lbs. — 8 FPM	2,000 lbs. — 18 FPM

motor — 120 volts AC, 60 hertz, 20 amps



with patented **ROTABOOM™**
Patent # 9,899,811

See Pages 63 and 64
for Pulling Rope



Scan here for video



Scan here for manual



Catalog Number	Description	Weight	UPC
100	Two Speed Cable Puller with Carriage Comes standard with Item Numbers 1-12	400 lbs.	UPC 811993025341
100LP	Rotaboom™ Mobile Carriage LESS #1450 Puller Comes standard with item numbers 2-12	281 lbs.	UPC 811993026072
110	Two Speed Cable Puller with Floor Mount Comes standard with Model #2280 Floor Mount	159 lbs.	UPC 811993026089
120	Two Speed Cable Puller with Chain Mount Comes standard with Model #2281 Chain Mount	169 lbs.	UPC 811993026096

*Greenlee® is a registered trademark of Greenlee Tools, Inc.