



CABLE PULLING

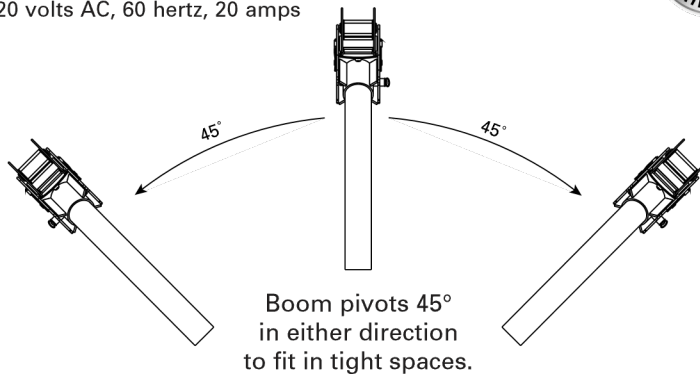
Two Speed Cable Puller with Carriage — featuring **ROTABOOM™** 10,000 lb. capacity

- 10,000lb. pulling capacity
- Built-in force gauge with digital read out
- One person set up
- Four wheel carriage for stability and ease of transport
- Patented 45° horizontal pivot (Rotaboom™) allows for use of puller in tight spaces
- Two speeds allow for fast pulling on low force pulls and increased torque for heavier pulls
- Boom height adjustment handle allows for easy vertical positioning of boom sections with little effort
- Snap-in couplings for quick and easy set-up
- Fits through 32" doorway
- Flat-free urethane wheels
- Compare to Greenlee® Model 6906, 6900 and 6901*

maximum pulling force — 10,000 lbs.

	Low Speed	High Speed
speeds (approx.)	no load — 12 FPM	no load — 33 FPM
	2,000 lbs. — 11 FPM	1,000 lbs. — 26 FPM
	4,000 lbs. — 10 FPM	1,500 lbs. — 20 FPM
	6,500 lbs. — 8 FPM	2,000 lbs. — 18 FPM

motor — 120 volts AC, 60 hertz, 20 amps



with patented **ROTABOOM™**
Patent # 9,899,811

See Pages 63 and 64
for Pulling Rope

Scan here for video

Scan here for manual



Catalog Number	Description	Weight	
100	Two Speed Cable Puller with Carriage – Comes standard with Item Numbers 1-12	400 lbs.	UPC 811993025341
110	Two Speed Cable Puller with Floor Mount – Comes standard with Model #2280 Floor Mount	159 lbs.	UPC 811993026089
120	Two Speed Cable Puller with Chain Mount – Comes standard with Model #2281 Chain Mount	169 lbs.	UPC 811993026096

*Greenlee® is a registered trademark of Greenlee Tools, Inc.



Current Tools
FOR THE PROFESSIONAL ELECTRICIAN

www.currenttools.com

P.O. Box 17026 • Greenville, SC 29606 • 864.721.4230 • fax 864.721.4232 • 800.230.5421



Puller with Floor Mount

Puller with Chain Mount



Model 110



Model 120



Component Listings – 10,000 lb. Puller

Item Number	Catalog Number	Description	Weight	UPC
1	1450	Cable Puller – 10,000 lb Capacity	119 lbs.	UPC 811993025822
2	1710	Elbow Unit	43 lbs.	UPC 811993025839
3	1840	Nose Unit (optional)	33 lbs.	UPC 811993025846
3A	1840-S	Nose Unit with Sheave	34 lbs.	UPC 811993026478
4	1000	Mobile Carriage	75 lbs.	UPC 811993025853
5	1190	Puller Mount	89 lbs.	UPC 811993025860
6	1850	Boom Tube – 3' Long	13 lbs.	UPC 811993025877
7	1860	Boom Tube — 4' Long	17 lbs.	UPC 811993025884
8	198	Coupling – 2"	1.6 lbs.	UPC 811993025891
9	199	Coupling – 2 1/2"	1.9 lbs.	UPC 811993025907
10	200	Coupling – 3"	2.4 lbs.	UPC 811993025914
11	201	Coupling – 3 1/2"	3.8 lbs.	UPC 811993025921
12	202	Coupling – 4"	4.3 lbs.	UPC 811993025938
13	230	Coupling – 5" (optional)	4.8 lbs.	UPC 811993025945
14	255	Coupling – 6" (optional)	5.5 lbs.	UPC 811993026102
15	2280	Floor Mount and four 5/8" x 6" wedge anchors (optional)	40 lbs.	UPC 811993025952
16	2281	Chain Mount with chains (optional)	50 lbs.	UPC 811993026058
17	259	Screw-on Coupling – 2" (optional)	2.1 lbs.	UPC 811993025990
18	260	Screw-on Coupling – 2 1/2" (optional)	2.4 lbs.	UPC 811993026003
19	261	Screw-on Coupling – 3" (optional)	2.9 lbs.	UPC 811993026010
20	262	Screw-on Coupling – 3 1/2" (optional)	4.3 lbs.	UPC 811993026027
21	263	Screw-on Coupling – 4" (optional)	4.8 lbs.	UPC 811993026034

