

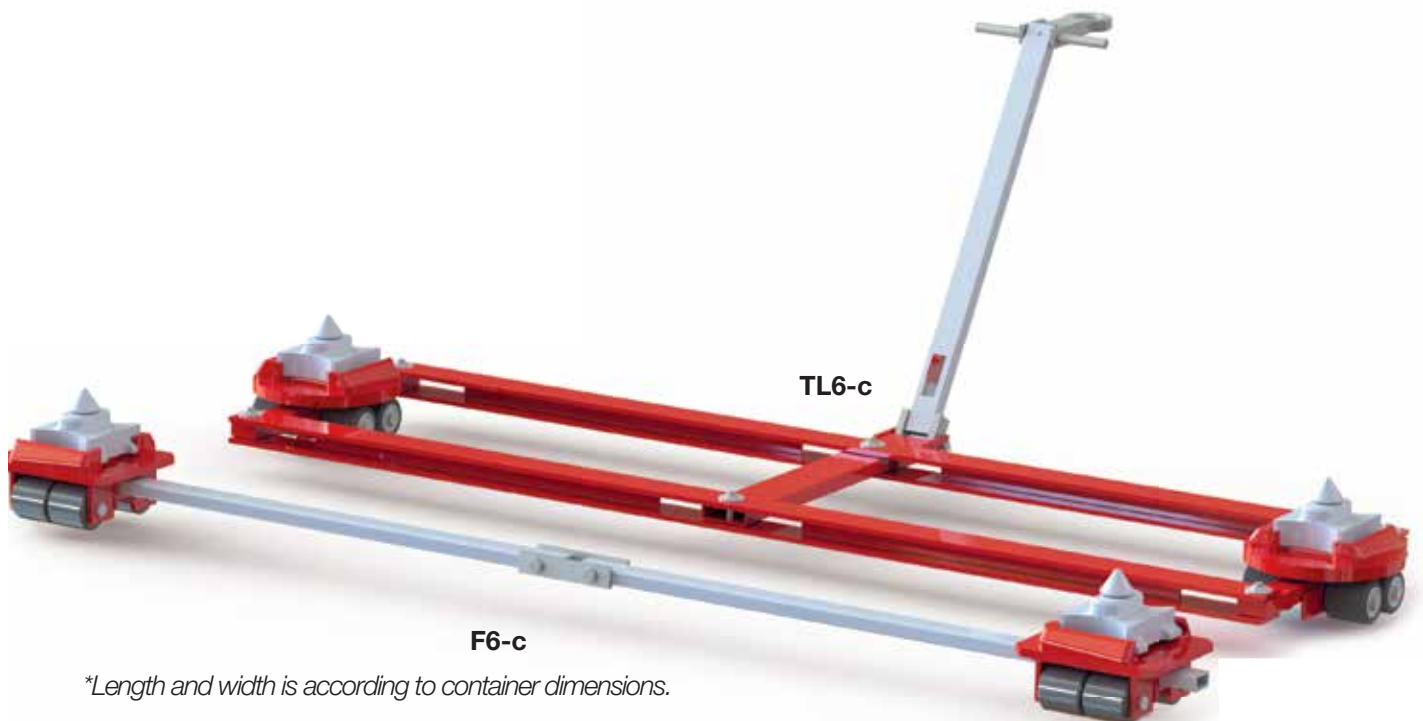
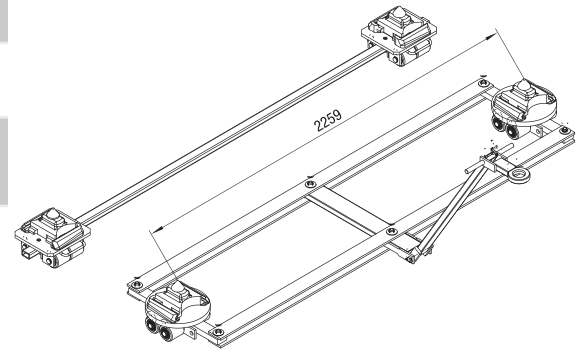


Container Dollies F6-C / TL6-C

- Features:**
- Features special twist locks to secure ISO containers to the dolly
 - Safer than using two forklifts
 - Connecting bars to increase load stability
 - Durable, non-marking rollers



Technical data	F6-C	TL6-C
Item number	5-13642	5-13643
Loading height / number of wheels (85 x 85 mm)	7" / 8 176 mm / 8	7" / 8 176 mm / 8
Overall dimensions (L x W)	12 x 102.8" / 304 x 2610 mm	24 x 89" / 610 x 2259 mm
Tare weight	111 lbs./ 50 kg	167 lbs./ 75 kg
Load Capacity	26,400 lbs. / 120 kN (12 t)	



**Length and width is according to container dimensions.*

- Contents
- Hydraulic
Toe Jacks
- Pumps
- Transport Dollies
- Rotating Dollies
- ROBOTS
- Rollers
- Nickel
Plated Equipment



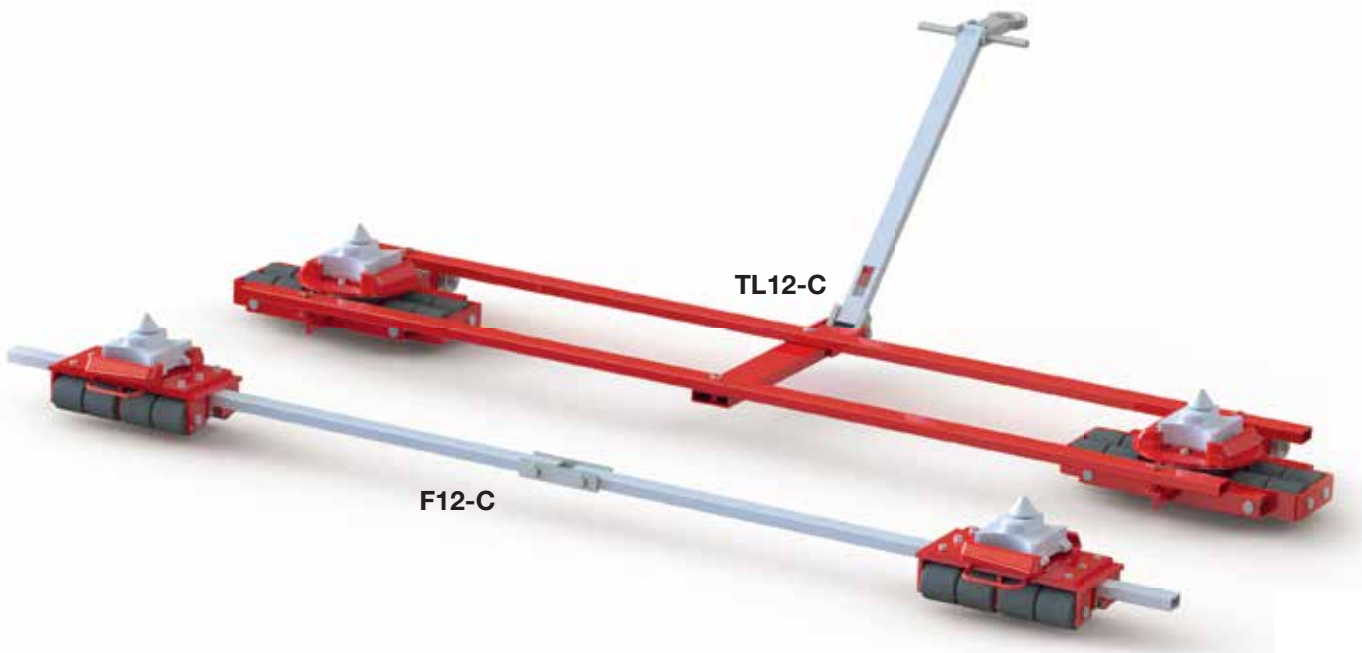
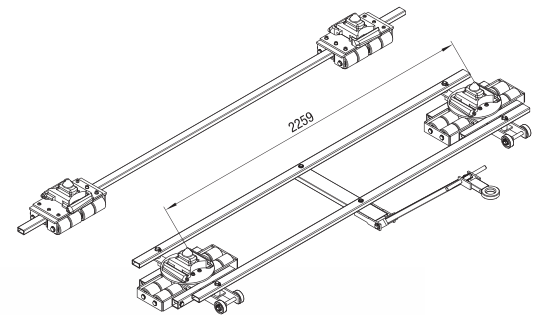
Container Dollies TL12-C / F12-C

Features:

- Specially designed twist locks to secure ISO containers to the dolly
- Safer than using two forklifts
- Connecting bars to increase load stability
- Durable, non-marking rollers



Technical data	F12-C	TL12-C
Item number	5-14130	5-14129
Loading height / number of wheels (85 x 85 mm)	7" / 16 176 mm / 16	7" / 16 176 mm / 16
Overall dimensions (L x W)	10.4 x 118.1" / 264 x 3000 mm	20.9 x 89" / 530 x 2259 mm
Tare weight	136 lbs./ 61 kg	344 lbs./ 155 kg
Load Capacity	52,800 lbs. / 240 kN (24 t)	



*Length and width is according to container dimensions.



Container Dollies TL20-C / F20-C

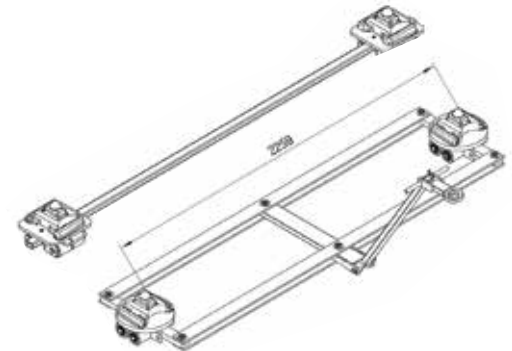
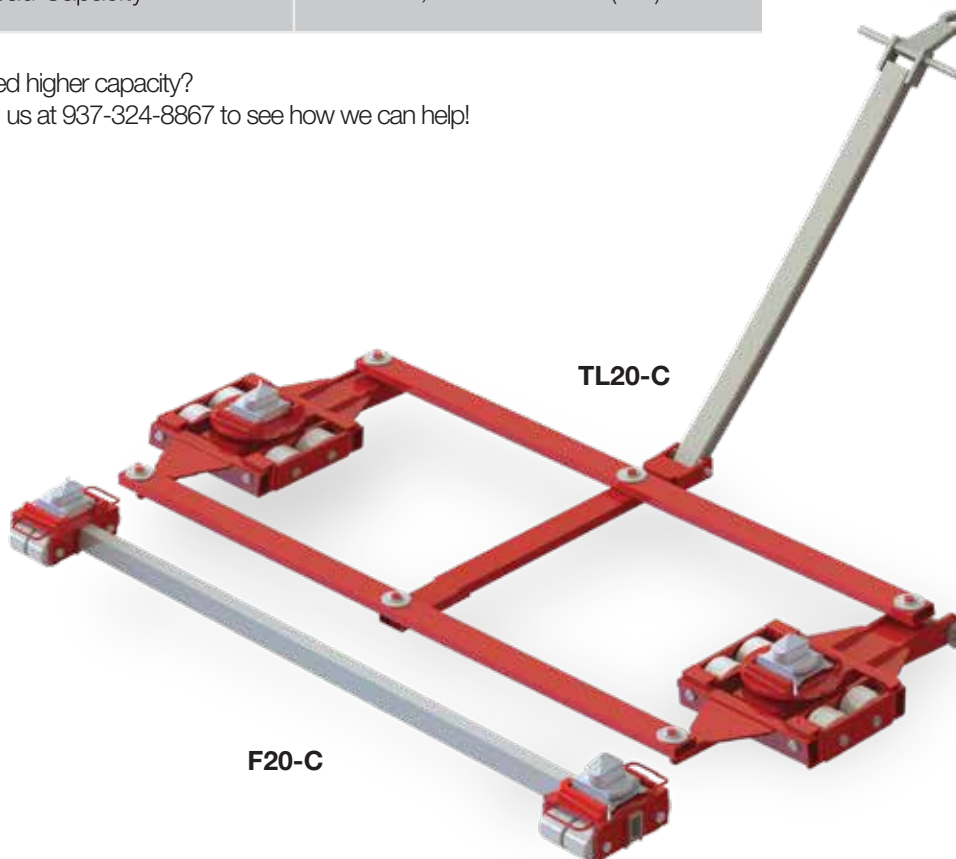
Features:

- Specially designed twist locks to secure ISO containers to the dolly
- Safer than using two forklifts
- Connecting bars to increase load stability
- Durable, non-marking rollers



Technical data	F20-C	TL20-C
Item number	5-13293	5-13294
Loading height / number of wheels (85 x 85 mm)	8.85" / 8 225 mm / 8	8.85" / 8 225 mm / 8
Overall dimensions (L x W)	11 x 89" / 280 x 2259 mm	53 x 89" / 1347 x 2259 mm
Tare weight	309 lbs./ 140 kg	760 lbs./ 345 kg
Load Capacity	88,000 lbs. / 400 kN (40 t)	

Need higher capacity?
Call us at 937-324-8867 to see how we can help!



*Length and width is according to container dimensions.