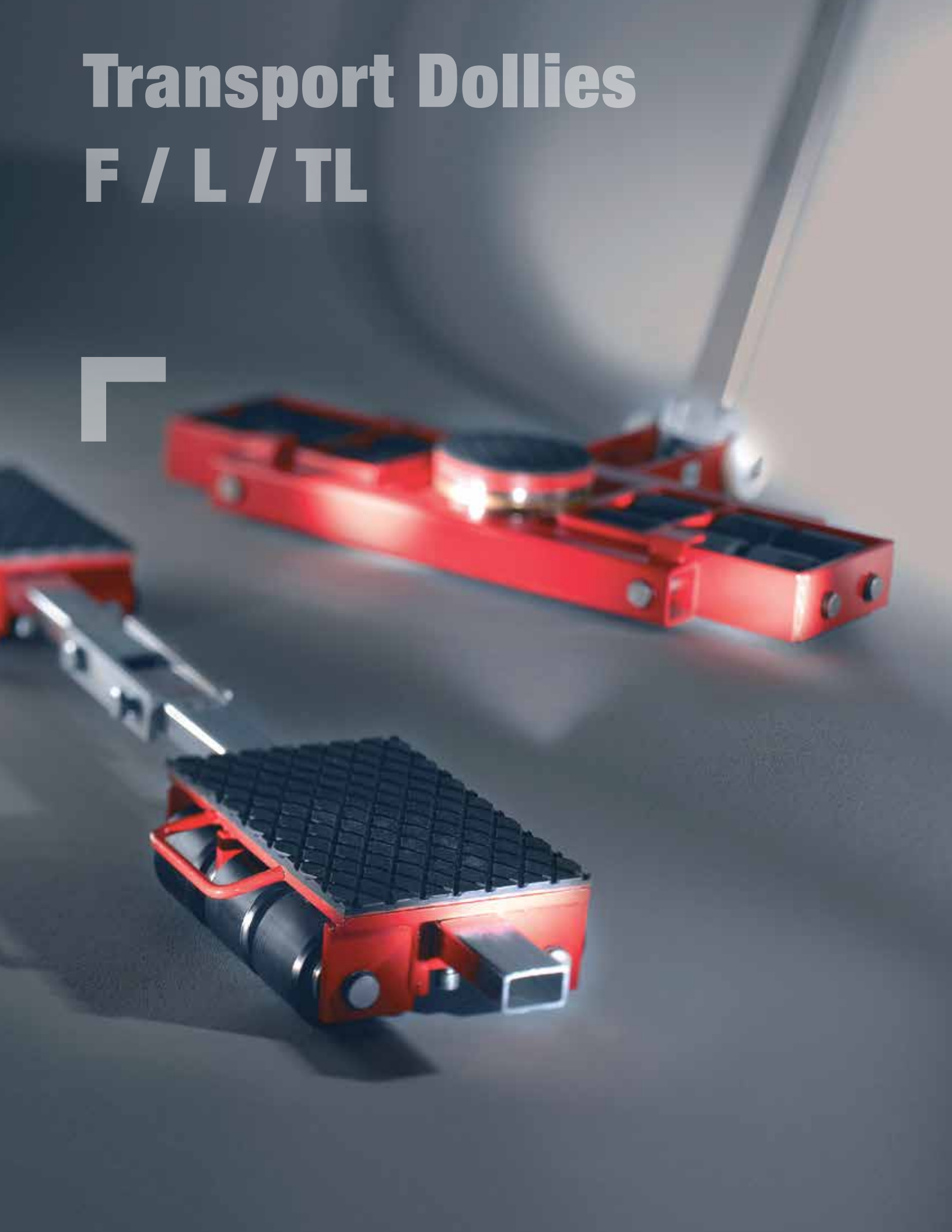


# Transport Dollies

F / L / TL

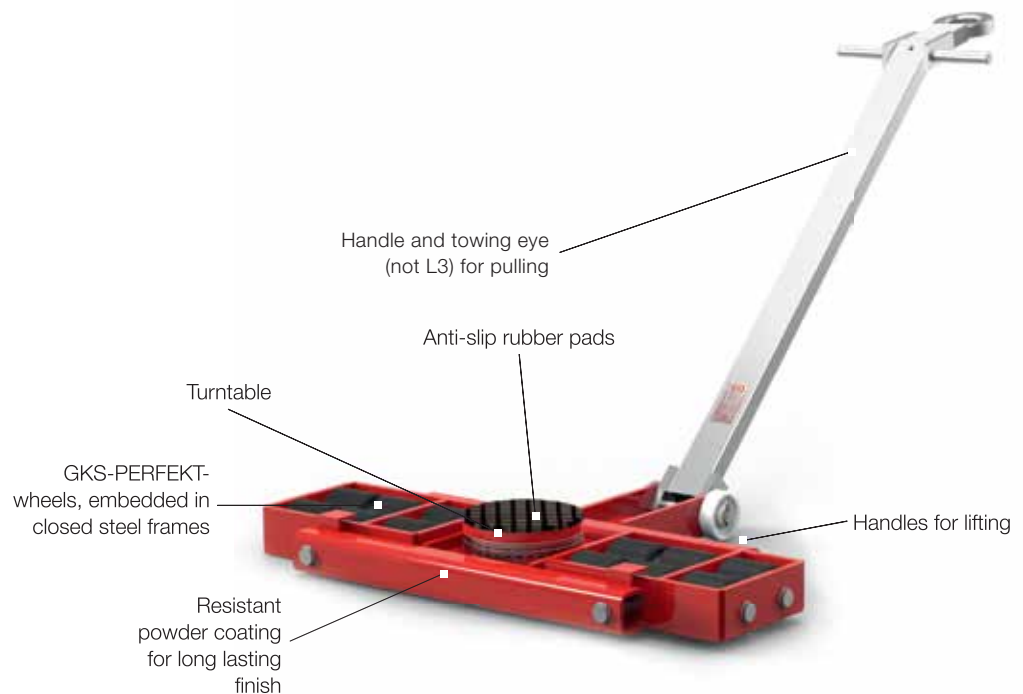


# Transport Dollies

## F / L / TL

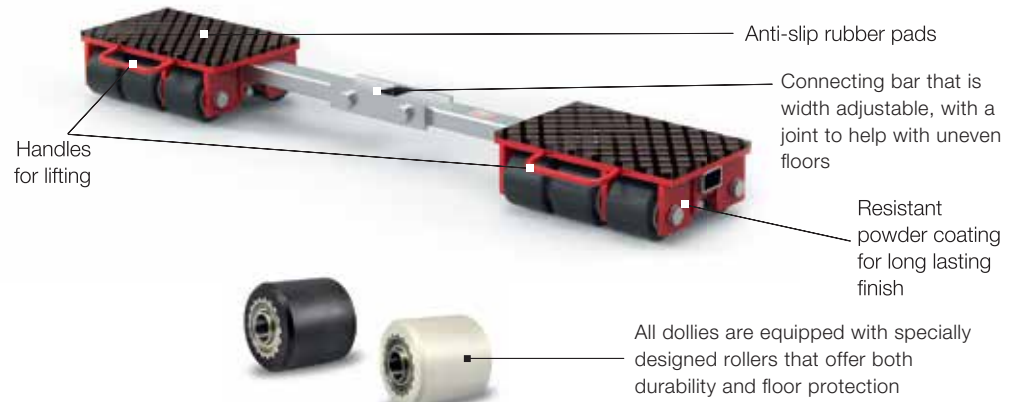
When it comes to transporting heavy loads, GKS-PERFEKT transport dollies have proven themselves for over 50 years. Our traditional set, consisting of a steerable lead dolly ('L dolly') and a following dolly ('F dolly'), offers 3 points of support. For loads with legs or uneven distribution of weight, we recommend pairing our traditional 'F dolly' with a tandem lead dolly ('TL dolly') to create a 4-point system. GKS also has specialty dollies to help move ISO containers (container dollies with special locks) and irregular bulky loads (twinlifter dolly with a hydraulic lift).

Go to [www.gksweb.com](http://www.gksweb.com) for more details about our transport dollies.



Wheel frames are embedded with oscillating axles, to compensate for uneven floors (not L3)

### Following Dolly F9





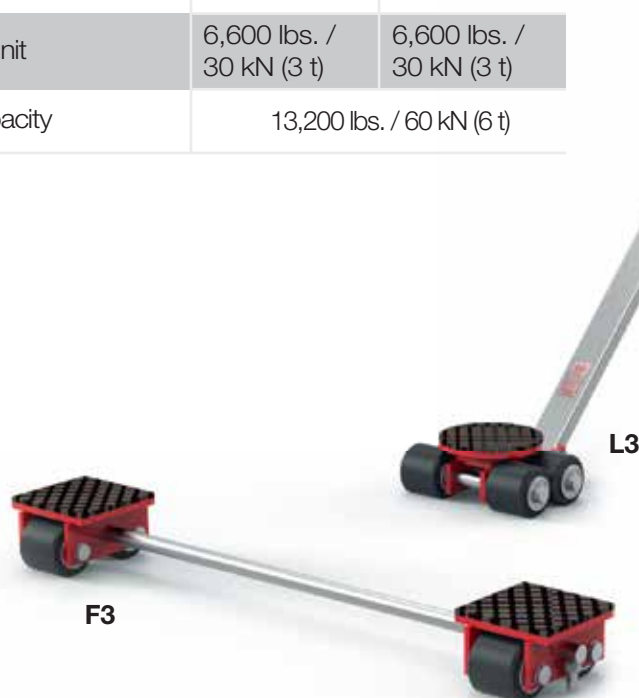
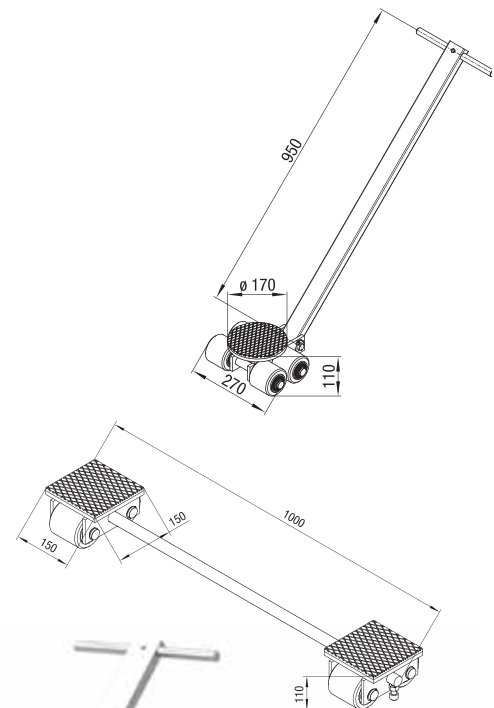
## Transport Dollies F3 / L3

### Features:

- L dolly- swivel plate to facilitate steering
- F dolly- width adjustable points of contact
- Durable, non-marking rollers
- Thick, grooved rubber pads to prevent load slippage



Technical data	F3	L3
Item number	3-10206	3-10207
Loading height / number of wheels (85 x 85 mm)	4.3" / 4 110mm / 4	4.3" / 4 110mm / 4
Contact surface per cartridge	5.9x5.9" / 150 x 150 mm	—
Connecting bar	11.8-39.4" / 300 - 1000 mm	—
Swivel plate ø 170 mm, steering angle	—	±90°
Steering rod	—	37.4" / 950 mm
Overall dimensions (L x W)	5.9 x 39.4" / 150 x 1000mm	9.4 x 10.6" / 238 x 270 mm
Weight	33lbs. / 15 kg	27 lbs. / 12 kg
Load capacity per unit	6,600 lbs. / 30 kN (3 t)	6,600 lbs. / 30 kN (3 t)
Combined load capacity	13,200 lbs. / 60 kN (6 t)	



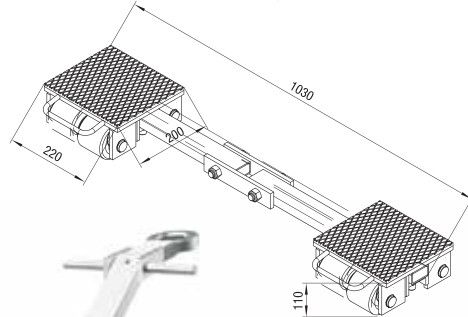
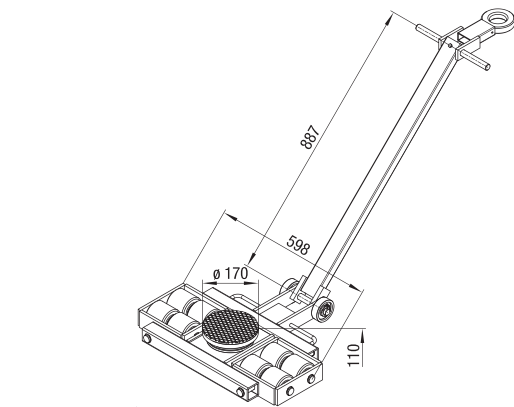


## Transport Dollies F6 / L6

- Features:**
- L dolly- includes towing eye for easy transport of the load
  - F dolly- connecting bar with joint to accommodate uneven surfaces
  - High durability rollers that are non-marking
  - All wheels are boxed in for protection



Technical data	F6	L6
Item number	3-10208	3-10209
Loading height / number of wheels (85 x 85 mm)	4.3" / 8 110mm / 8	4.3" / 8 110mm / 8
Contact surface per cartridge	7.9x8.7" / 200 x 220 mm	—
Connecting bar	25.2 - 40.6" / 640 x 1030 mm	—
Swivel plate $\varnothing$ 170 mm, steering angle	—	$\pm 90^\circ$
Steering rod	34.9" / 887mm	37.4" / 950 mm
Overall dimensions (L x W)	7.9 x 40.6" / 200 x 1030 mm	20.7 x 23.5" / 525 x 598 mm
Weight	60 lbs./30 kg	90 lbs. / 41 kg
Load capacity per unit	13,200 lbs. / 60 kN (6 t)	13,200 lbs. / 60 kN (6 t)
Combined load capacity	26,400 lbs. / 120 kN (12 t)	



- Contents
- Hydraulic  
Toe Jacks
- Pumps
- Transport Dollies
- Rotating Dollies
- ROBOTS
- Rollers
- Nickel  
Plated Equipment



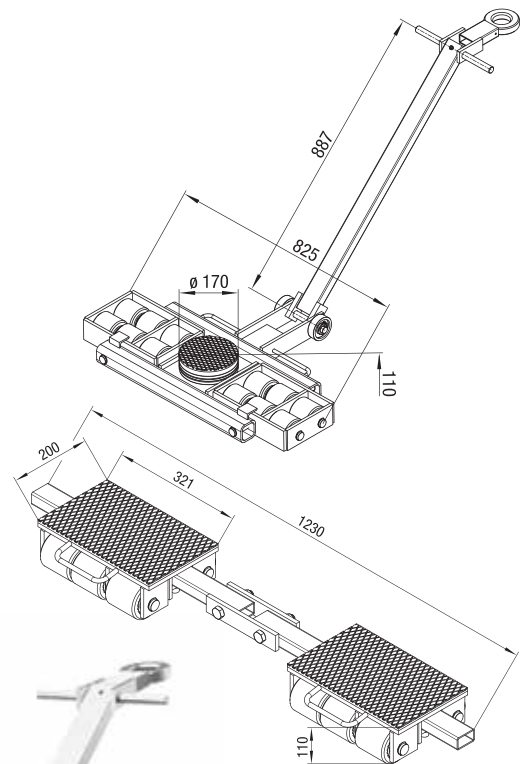
## Transport Dollies F9 / L9

### Features:

- L dolly- swivel plate to facilitate steering
- F dolly- connecting bar with joint to accommodate uneven surfaces
- Durable, non-marking rollers
- Thick, grooved rubber pads to prevent load slippage



Technical data	F9	L9
Item number	3-11070	3-11071
Loading height / number of wheels (85 x 85 mm)	4.3" / 12 110mm / 8	4.3" / 12 110mm / 8
Contact surface per cartridge	7.9 x 12.6" / 200 x 321 mm	—
Connecting bar	33- 48.4" / 840 x 1230 mm	—
Swivel plate ø 170 mm, steering angle	—	±90°
Steering rod	34.9" / 887mm	37.4" / 950 mm
Overall dimensions (L x W)	7.9 x 48.4" / 200 x 1230 mm	23.2 x 32.5" / 589 x 825 mm
Weight	95 lbs./43 kg	130 lbs./59 kg
Load capacity per unit	19,800 lbs. / 90 kN (9 t)	19,800 lbs. / 90 kN (9 t)
Combined load capacity	39,600 lbs. / 180 kN (18 t)	





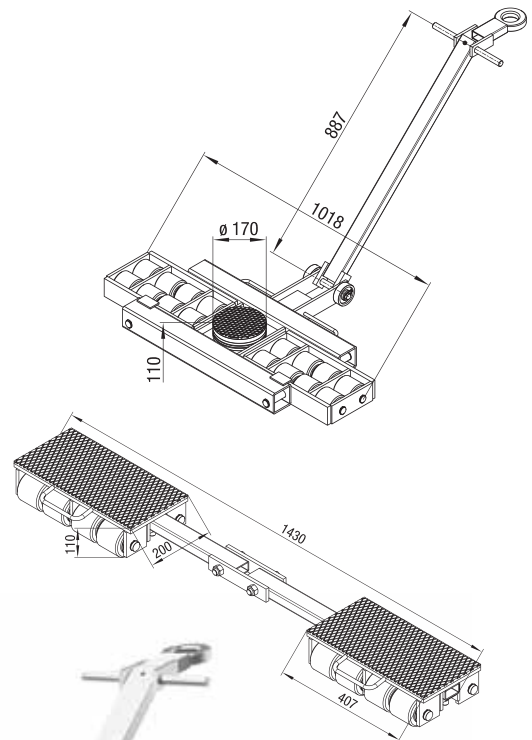


## Transport Dollies F12 / L12

- Features:**
- L dolly- includes towing eye for easy transport of the load
  - F dolly- connecting bar with joint to accommodate uneven surfaces
  - High durability rollers that are non-marking
  - All wheels are boxed in for protection



Technical data	F12	L12
Item number	3-10312	3-10313
Loading height / number of wheels (85 x 85 mm)	4.3" / 16 110mm / 16	4.3" / 16 110mm / 16
Contact surface per cartridge	7.6x16" / 200 x 407 mm	—
Connecting bar	39.9 -56.3" / 1014 x 1430 mm	—
Swivel plate ø 170 mm, steering angle	—	±90°
Steering rod	34.9" / 887mm	42.5" / 1080mm
Overall dimensions (L x W)	7.9 x 56.3" / 200x 1430 mm	24.9 x 40.1" / 633x 1018 mm
Weight	151 lbs./ 52 kg	176 lbs./ 80 kg
Load capacity per unit	26,400 lbs. / 120 kN (12 t)	26,400 lbs. / 120 kN (12 t)
Combined load capacity	52,800 lbs. / 240 kN (24 t)	



- Contents
- Hydraulic Toe Jacks
- Pumps
- Transport Dollies
- Rotating Dollies
- ROBOTS
- Rollers
- Nickel Plated Equipment



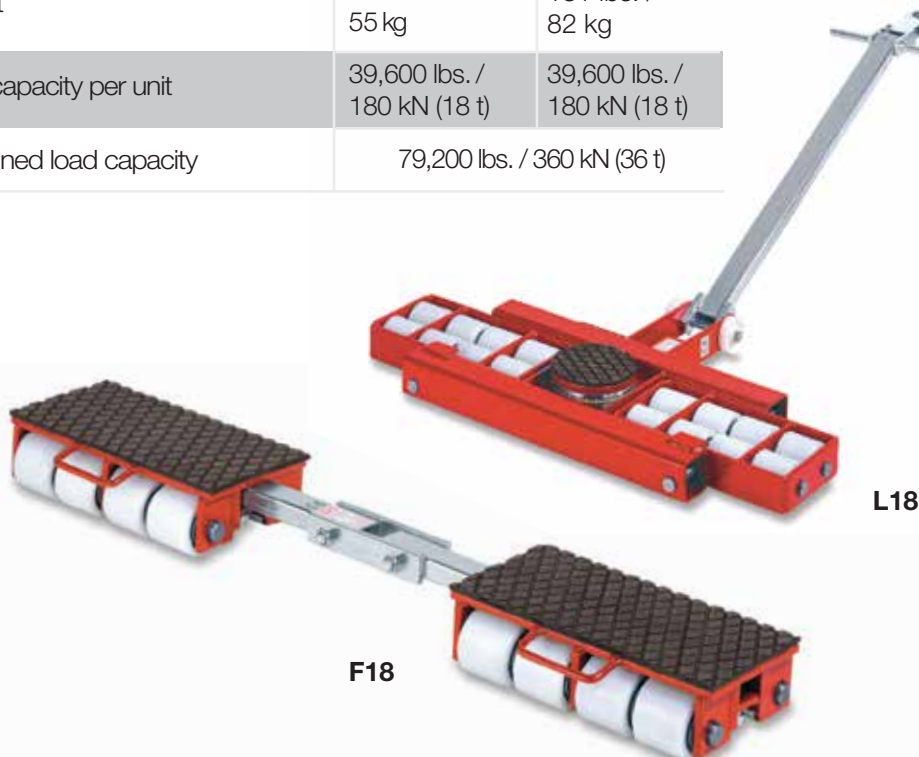
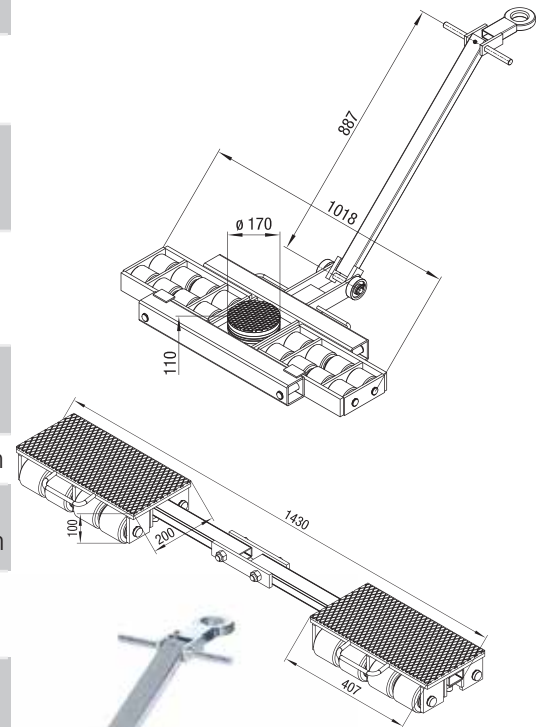
## Transport Dollies F18 / L18

### Features:

- L dolly- swivel plate to facilitate steering
- F dolly- width adjustable points of contact
- Durable, non-marking rollers
- Thick, grooved rubber pads to prevent load slippage



Technical data	F18	L18
Item number	3-10215	3-10216
Loading height / number of wheels (85 x 85 mm)	4.3" / 16 110mm / 16	4.3" / 16 110mm / 16
Contact surface per cartridge	7.9x16" / 200 x 407 mm	—
Connecting bar	39.9 - 56.3" / 1014 x 1430 mm	—
Swivel plate ø 170 mm, steering angle	—	±90°
Steering rod	34.9" / 887mm	42.5" / 1080 mm
Overall dimensions (L x W)	7.9 x 56.3" / 200 x 1430 mm	24.9 x 40.1" / 633 x 1018 mm
Weight	121 lbs. / 55 kg	181 lbs. / 82 kg
Load capacity per unit	39,600 lbs. / 180 kN (18 t)	39,600 lbs. / 180 kN (18 t)
Combined load capacity	79,200 lbs. / 360 kN (36 t)	



F18

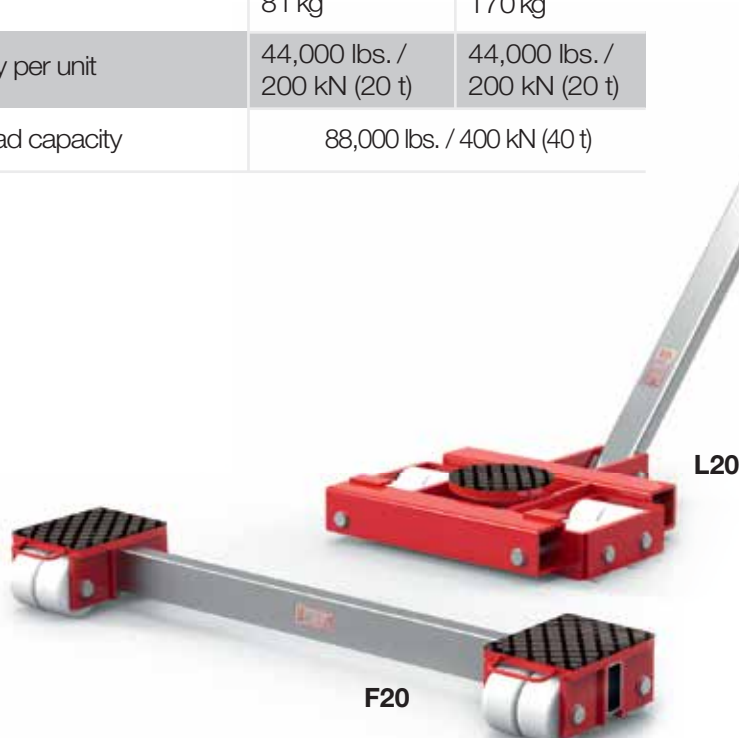
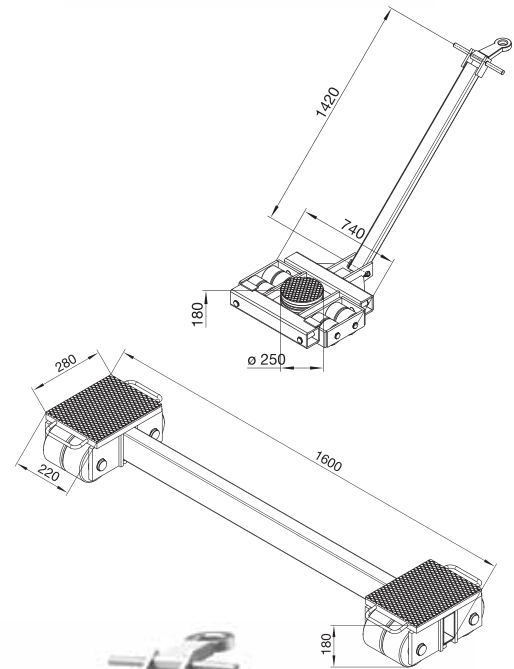
L18



## Transport Dollies F20 / L20

- Features:**
- L dolly- includes towing eye for easy transport of the load
  - F dolly- width adjustable points of contact
  - High durability rollers that are non-marking
  - All wheels are boxed in for protection

Technical data	F20	L20
Item number	3-11060	3-11061
Loading height / number of wheels (140 x 85mm)	7.1" / 8 180 mm / 8	7.1" / 8 180 mm / 8
Contact surface per cartridge	11.2x8.7" / 280 x 220 mm	—
Connecting bar	17.3 - 63" / 440 x 1600 mm	—
Swivel plate ø 170 mm, steering angle	—	±90°
Steering rod	55.9" / 1420 mm	63.8" / 1620 mm
Overall dimensions (L x W)	11 x 63" / 280 x 1600 mm	31.5 x 29.4" / 800 x 747 mm
Weight	179 lbs. / 81 kg	375 lbs. / 170 kg
Load capacity per unit	44,000 lbs. / 200 kN (20 t)	44,000 lbs. / 200 kN (20 t)
Combined load capacity	88,000 lbs. / 400 kN (40 t)	



- Contents
- Hydraulic Toe Jacks
- Pumps
- Transport Dollies
- Rotating Dollies
- ROBOTS
- Rollers
- Nickel Plated Equipment





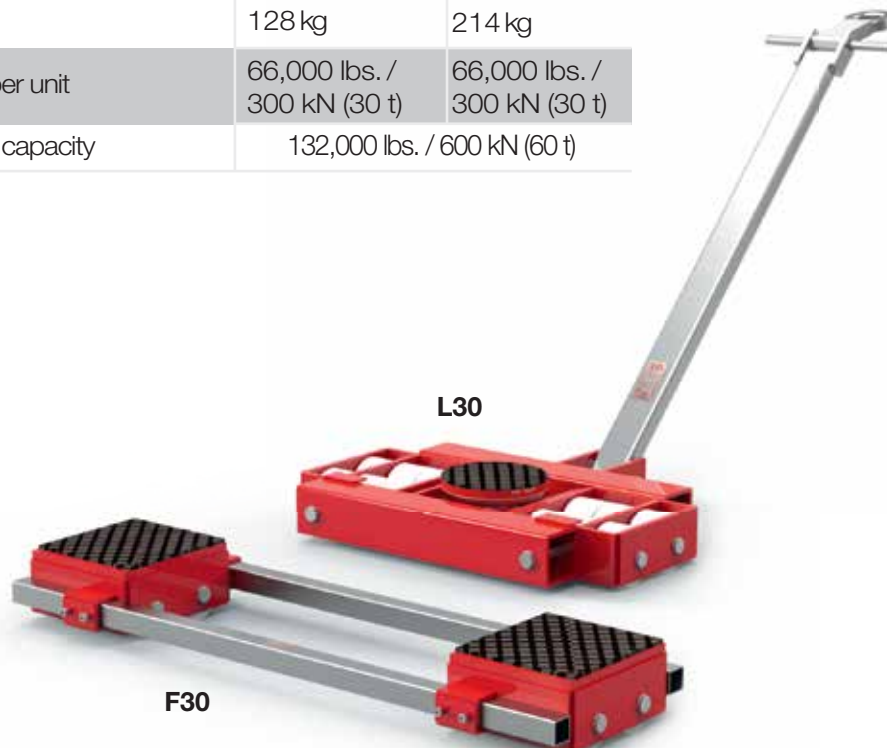
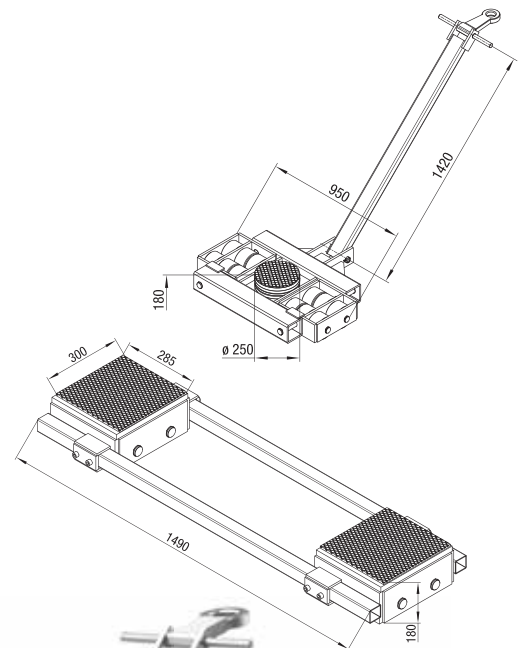
## Transport Dollies F30 / L30

### Features:

- L dolly- swivel plate to facilitate steering
- F dolly- width adjustable points of contact
- Durable, non-marking rollers
- Thick, grooved rubber pads to prevent load slippage



Technical data	F30	L30
Item number	3-11992	3-11993
Loading height / number of wheels (140 x 85mm)	7.1" / 12 180 mm / 12	7.1" / 12 180 mm / 12
Contact surface per cartridge	11.8 x 11.2" / 300 x 285 mm	—
Connecting bar	25.6 - 72" / 650 x 1830 mm	—
Swivel plate ø 250 mm, steering angle	—	±90°
Steering rod	55.9" / 1420 mm	63.8" / 1620 mm
Overall dimensions (L x W)	11.8 x 58.7" / 300 x 1490 mm	32.3 x 37.4" / 820 x 950 mm
Weight	282 lbs. / 128 kg	472 lbs. / 214 kg
Load capacity per unit	66,000 lbs. / 300 kN (30 t)	66,000 lbs. / 300 kN (30 t)
Combined load capacity	132,000 lbs. / 600 kN (60 t)	



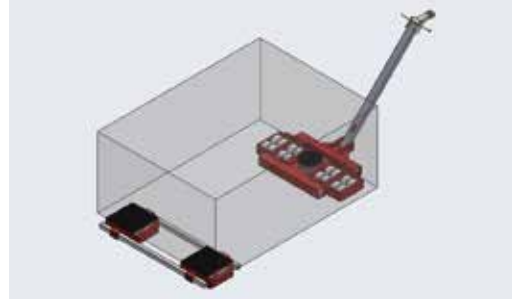
L30

F30

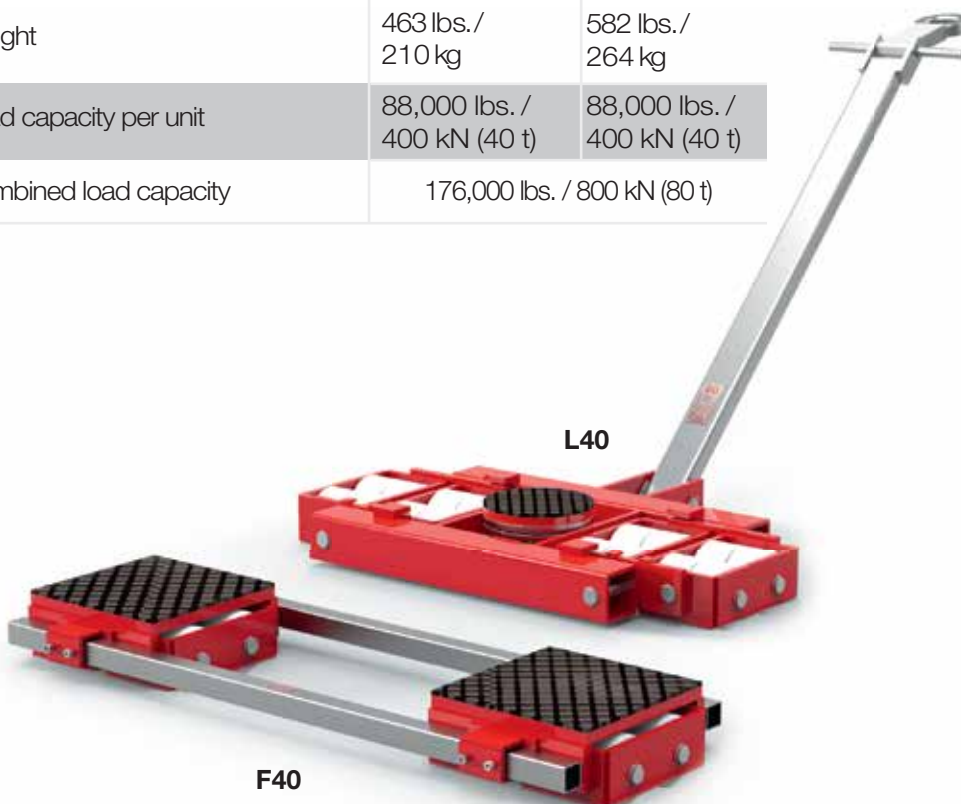
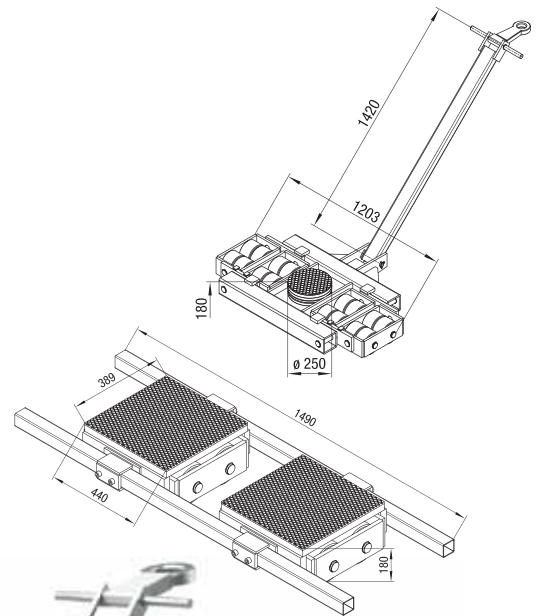


## Transport Dollies F40 / L40

- Features:**
- L dolly- includes towing eye for easy transport of the load
  - F dolly- two connecting bars for greater stability
  - High durability rollers that are non-marking
  - All wheels are boxed in for protection



Technical data	F40	L40
Item number	3-11770	3-11771
Loading height / number of wheels (140 x 85mm)	7.1" / 16 180 mm / 16	7.1" / 16 180 mm / 16
Contact surface per cartridge	15.3 x 17.3" / 389 x 440 mm	—
Connecting bar	29.1 - 71.1" / 740 x 1820 mm	—
Swivel plate ø 250 mm, steering angle	—	± 90°
Steering rod	55.9" / 1420 mm	63.8" / 1620 mm
Overall dimensions (L x W)	15.3 x 58.7" / 389 x 1490 mm	33.9 x 47.4" / 860 x 1203 mm
Weight	463 lbs./ 210 kg	582 lbs./ 264 kg
Load capacity per unit	88,000 lbs. / 400 kN (40 t)	88,000 lbs. / 400 kN (40 t)
Combined load capacity	176,000 lbs. / 800 kN (80 t)	



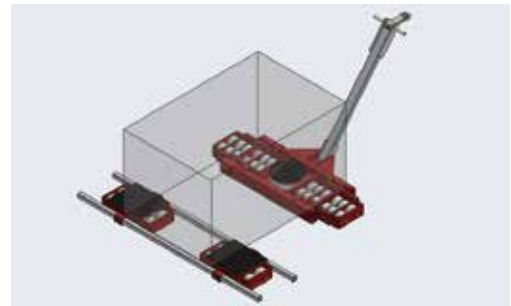
- Contents
- Hydraulic  
Toe Jacks
- Pumps
- Transport Dollies
- Rotating Dollies
- ROBOTS
- Rollers
- Nickel  
Plated Equipment



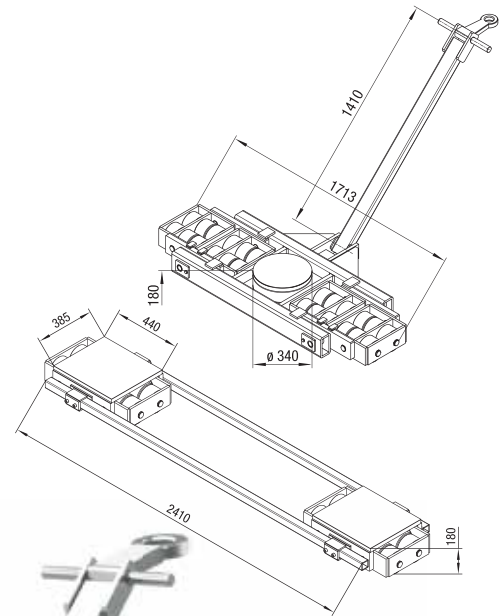
## Transport Dollies F60 / L60

### Features:

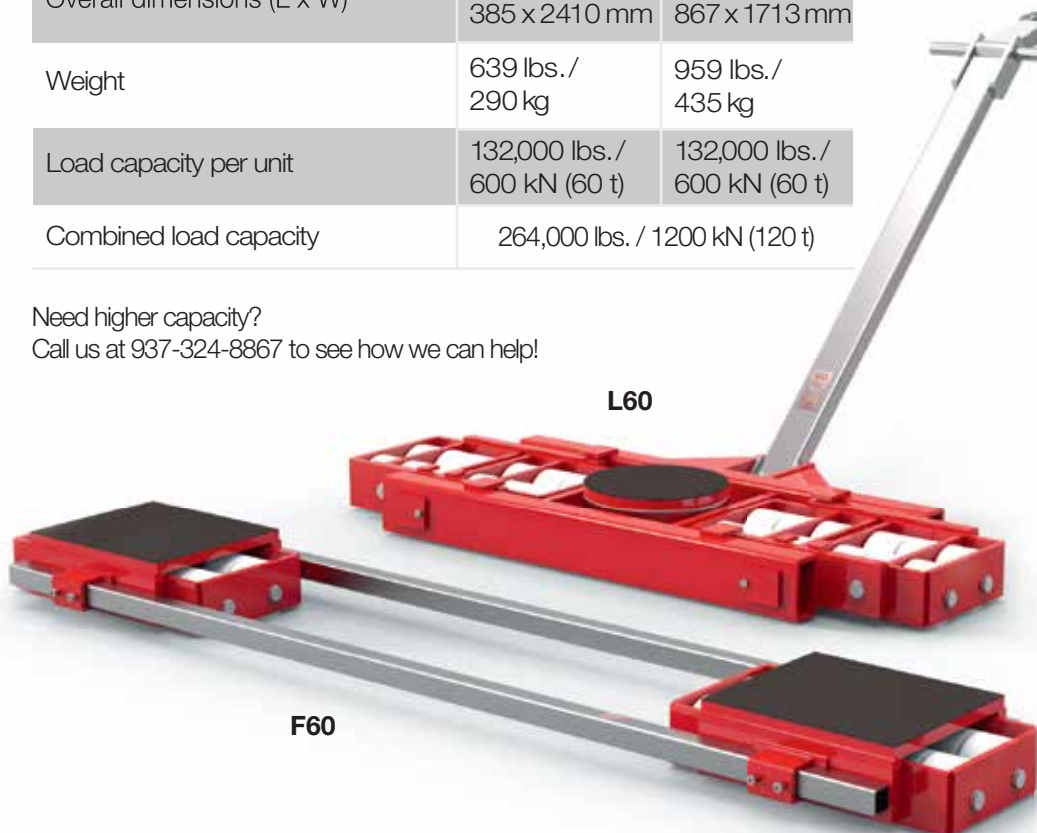
- L dolly- swivel plate to facilitate steering
- F dolly- width adjustable points of contact
- Durable, non-marking rollers
- All wheels are boxed in for protection



Technical data	F60	L60
Item number	3-10226	3-10227
Loading height / number of wheels (140 x 85mm)	7.1" / 24 180 mm / 24	7.1" / 24 180 mm / 24
Contact surface per cartridge	15.2 x 17.3" / 385 x 440 mm	—
Connecting bar	43.3 - 107.5" / 1100 x 2730 mm	—
Swivel plate ø 340 mm, steering angle	—	±90°
Steering rod	—	63.8"/1620 mm
Overall dimensions (L x W)	15.2 x 94.9" / 385 x 2410 mm	34.1 x 67.4" / 867 x 1713 mm
Weight	639 lbs./ 290 kg	959 lbs./ 435 kg
Load capacity per unit	132,000 lbs./ 600 kN (60 t)	132,000 lbs./ 600 kN (60 t)
Combined load capacity	264,000 lbs. / 1200 kN (120 t)	



Need higher capacity?  
Call us at 937-324-8867 to see how we can help!



L60

F60