

# Rotating Dollies

RL



# Rotating Dollies RL

Sick of using straight line rollers? It'd be great if loads only needed to be moved in straight lines, but GKS knows that isn't how life works. That's why we were the first to offer rotating dollies, skates that allow for 360-degree movement. When you have to make tight turns with heavy loads, rotating dollies are your best friend. Optional accessories include connecting bars to help secure the load, and a steering rod to help with movement.

Go to [www.gksweb.com](http://www.gksweb.com) for more details about our rotating dollies.

## Rotating Dolly RL 4



**To connect several rotating dollies, connecting bars of various lengths and steering rods are available.**



## Rotating Dolly RL1

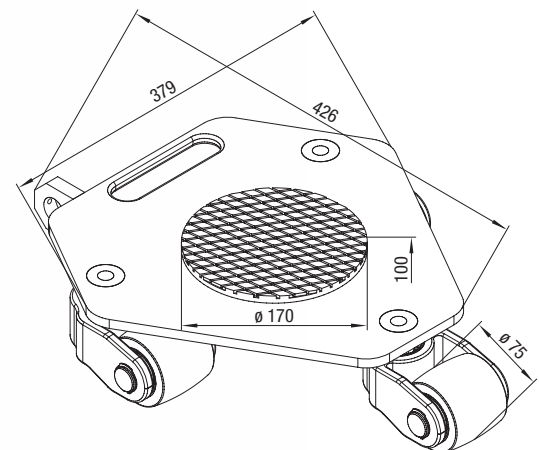
### Features:

- 360-degree movement due to special bearings
- Low loading height
- Durable, non-marking rollers



### Technical data

	RL1
Item number	6-11456
Loading height / number of wheels (85 mm x 85 mm)	3.9" / 3 100 mm / 3
Overall dimensions (L X W X H)	16.8 x 14.9 x 3.9" / 426 x 379 x 100 mm
Tare weight	33 lbs. / 15 kg
Load Capacity	2,200 lbs. / 10 kN (1 t)





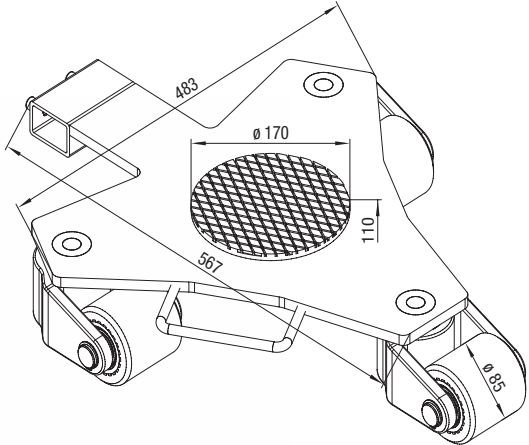
## Rotating Dolly RL2

Features:

- Ideal for tight turns due to 360-degree capabilities
- Minimal loading height
- Thick, grooved rubber pad to prevent load slippage



Technical data	RL2
Item number	6-10238
Loading height / number of wheels (85 mm x 85 mm)	4.3" / 3 110 mm / 3
Overall dimensions (L X W X H)	22.3 x 19 x 4.3" / 567 x 483 x 110 mm
Tare weight	66 lbs. / 30 kg
Load Capacity	4,400 lbs. / 20 kN (2 t)



- Contents
- Hydraulic  
Toe Jacks
- Pumps
- Transport Dollies
- Rotating Dollies
- ROBOTS
- Rollers
- Nickel  
Plated Equipment



## Rotating Dolly RL4

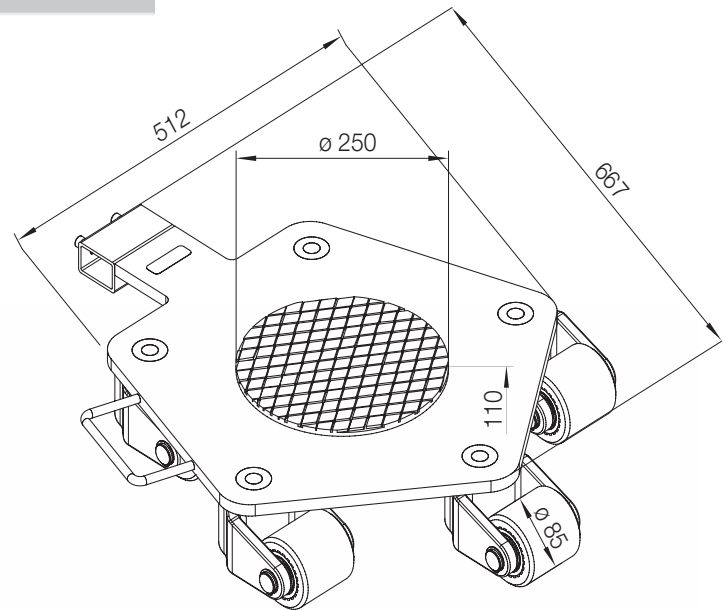
### Features:

- 360-degree movement due to special bearings
- Low loading height
- Durable, non-marking rollers



### Technical data

	RL4
Item number	6-10240
Loading height / number of wheels (85 mm x 85 mm)	4.3" / 5 110 mm / 5
Overall dimensions (L X W X H)	26.3 x 20.2 x 4.3" / 667 x 512 x 110 mm
Tare weight	111 lbs. / 50 kg
Load Capacity	8,800 lbs. / 40 kN (4 t)



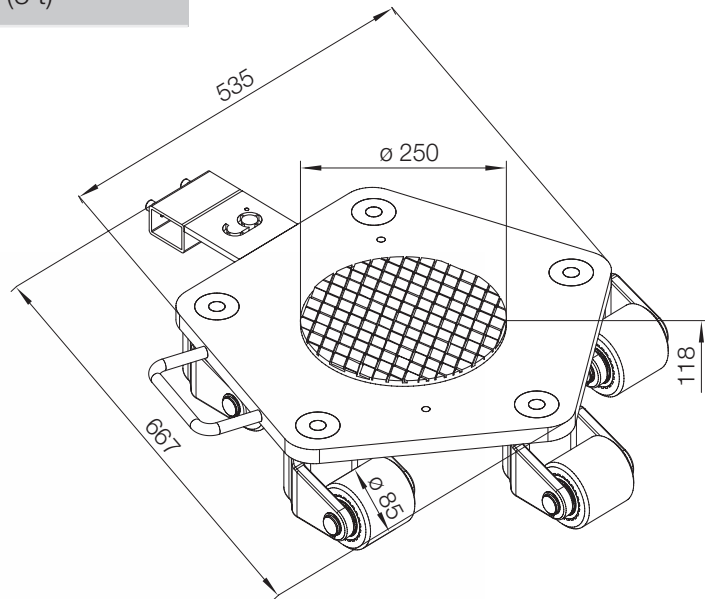


## Rotating Dolly RL6

- Features:**
- 360-degree movement due to special bearings
  - Low loading height
  - Durable, non-marking rollers



Technical data	RL6
Item number	6-13439
Loading height / number of wheels (85 mm x 85 mm)	4.6" / 5 118 mm / 5
Overall dimensions (L X W X H)	26.3 x 21.1 x 4.6" / 667 x 535 x 118 mm
Tare weight	133 lbs. / 60 kg
Load Capacity	13,200 lbs. / 60 kN (6 t)



- Contents
- Hydraulic  
Toe Jacks
- Pumps
- Transport Dollies
- Rotating Dollies
- ROBOTS
- Rollers
- Nickel  
Plated Equipment



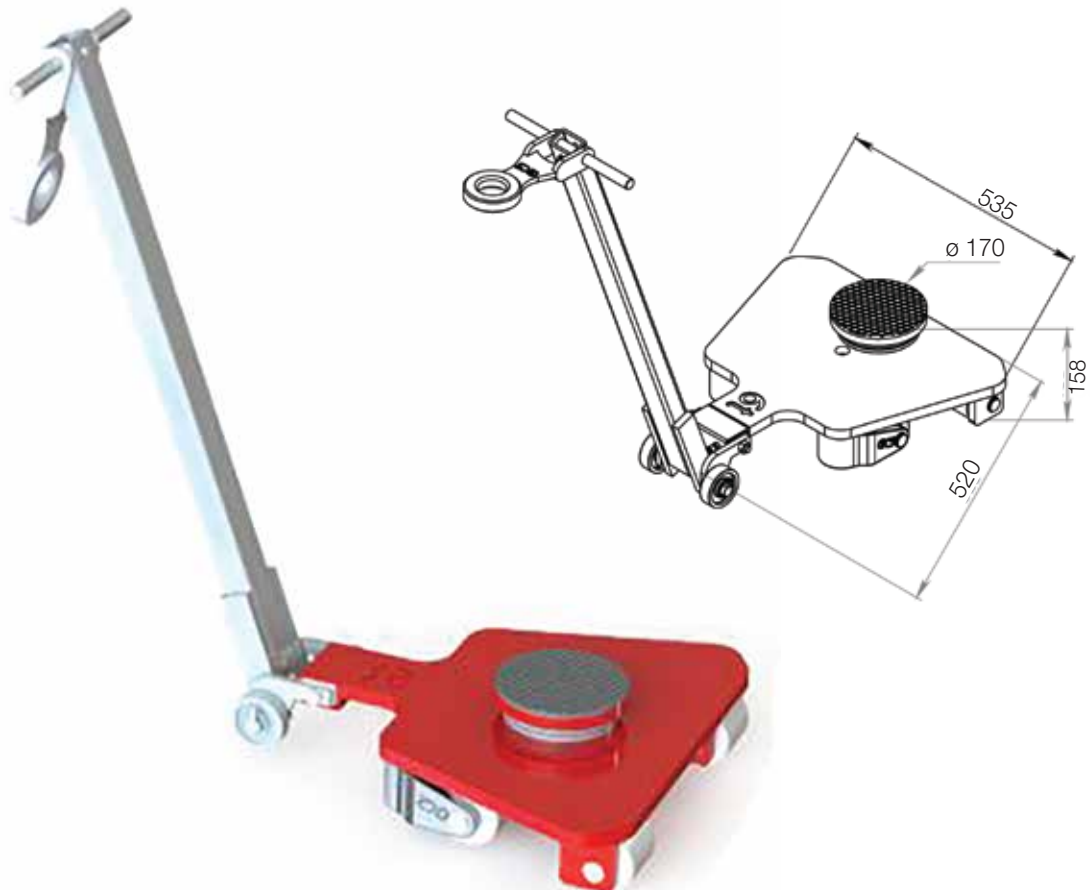
## Rotating Dolly RL6-D

### Features:

- Front wheels remain straight, while back wheels turn freely
- Swivel plate is adjustable and facilitates steering
- Combines maneuverability of regular rotating dollies while making straight line movement easier
- Handlebar is included



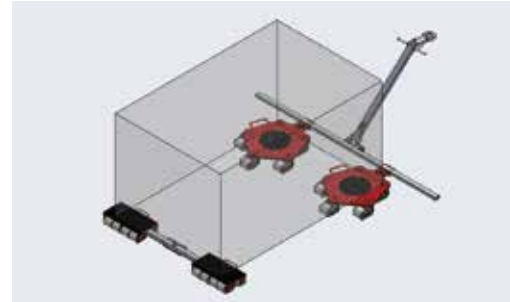
Technical data	RL6-D
Item number	6-15584
Loading height/number of wheels:	6.3" / 4 158 mm / 4
Overall dimensions (L X W X H)	20.5 x 21.1 x 6.3" / 520 x 535 x 158 mm
Tare weight	104 lbs. / 47 kg
Load Capacity	13,200 lbs. / 60 kN (6 t)



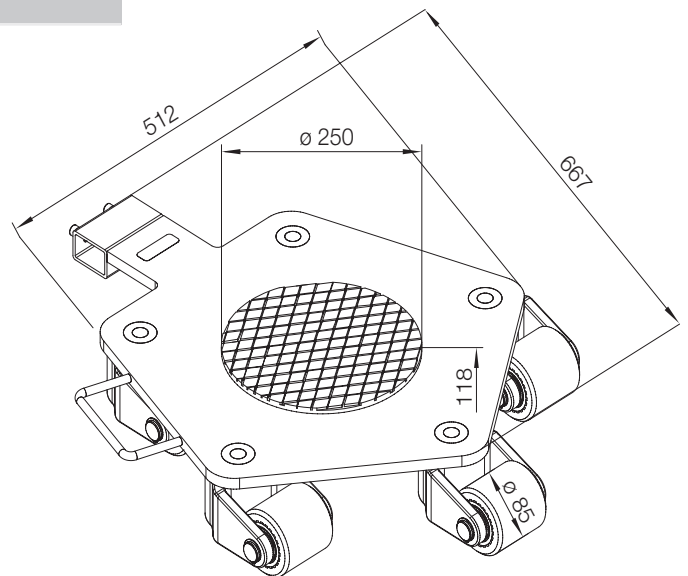


## Rotating Dolly RL8

- Features:**
- Ideal for tight turns due to 360-degree capabilities
  - Minimal loading height
  - Long lasting rollers that don't mark floors



Technical data	RL8
Item number	6-13817
Loading height / number of wheels (85 mm x 85 mm)	4.6" / 5 118 mm / 5
Overall dimensions (L X W X H)	26.3 x 20.2 x 4.6" / 667 x 512 x 118 mm
Tare weight	133 lbs. / 60 kg
Load Capacity	17,600 lbs. / 80 kN (8 t)



- Contents
- Hydraulic Toe Jacks
- Pumps
- Transport Dollies
- Rotating Dollies
- ROBOTS
- Rollers
- Nickel Plated Equipment





**Rotating Dolly RL12**

- Features:**
- 360 degree movement due to special bearings
  - Long lasting rollers that don't mark floors
  - Thick, grooved rubber pad to prevent load slippage



Technical data	RL12
Item number	6-13818
Loading height / number of wheels (140 mm x 85 mm)	7.1" / 5 180 mm / 5
Overall dimensions (L X W X H)	38.6 x 33 x 7.2" / 981 x 838 x 183 mm
Tare weight	408 lbs. / 185 kg
Load Capacity	26,400 lbs. / 120 kN (12 t)

